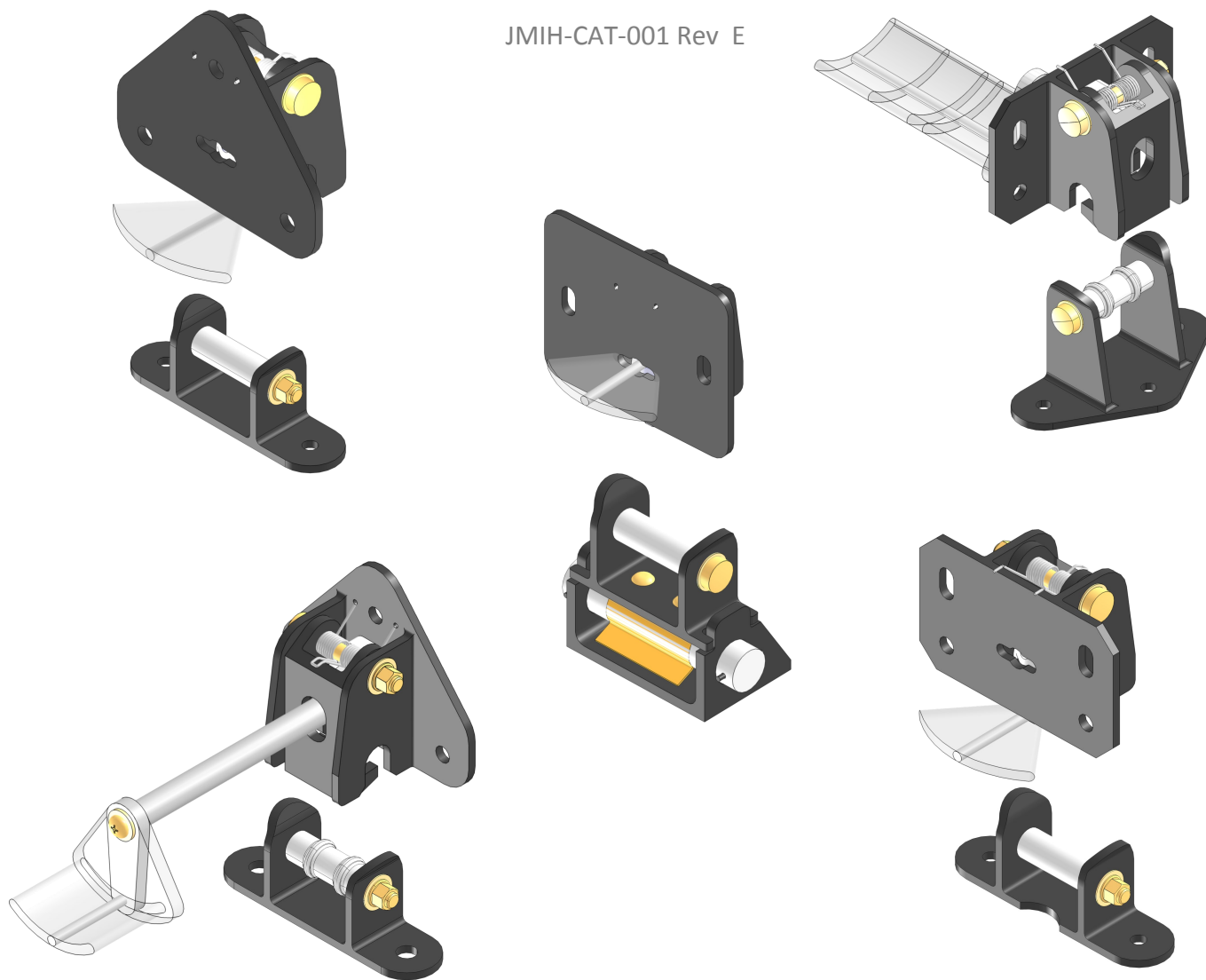




QUICK RELEASE LATCH

HARDWARE CATALOG

JMIH-CAT-001 Rev E



11221 69th STREET NORTH
LARGO, FL 33773-5504
727-549-9600

2670 EDMONDS LN #100
LEWISVILLE, TX 75067-6728
972-436-7069

JORMAC.COM



JORMAC AEROSPACE



INDEX:

A. Quick Release Latches:

Page

1. <u>Hook Assembly, Rotary, Standard Release Rod Position, Rect. Base, 4 Bolt Pattern</u>1
2. <u>Hook Assembly, Rotary, Opposite Release Rod Position, Rect. Base, 4 Bolt Pattern</u>2
3. <u>Hook Assembly, Rotary, Standard Release Rod Position, Triangle Base, 3 Bolt Pattern</u>3
4. <u>Hook Assembly, Rotary, Opposite Release Rod Position, Triangle Base, 3 Bolt Pattern</u>4
5. <u>Hook Assembly, Rotary, Standard Release Rod Position, Rect. Base, 2 Bolt Pattern</u>5
6. <u>Hook Assembly, Rotary, Opposite Release Rod Position, Rect. Base, 2 Bolt Pattern</u>6
7. <u>Hook Assembly, Rotary, Standard Release Rod Position, Ext. Shaft, Rect. Base, 4 Bolt Pattern</u>7
8. <u>Hook Assembly, Rotary, Opposite Release Rod Position, Ext. Shaft, Rect. Base, 4 Bolt Pattern</u>8
9. <u>Hook Assembly, Rotary, Standard Release Rod Position, Short Shaft, Rect. Base, 4 Bolt Pattern</u>9
10. <u>Hook Assy, Rotary, Standard Release Rod Position, Ext. Shaft, Triangle Base, 3 Bolt Pattern</u>10
11. <u>Hook Assy, Rotary, Opposite Release Rod Position, Ext. Shaft, Triangle Base, 3 Bolt Pattern</u>11
12. <u>Hook Assy, Rotary, Standard Release Rod Position, Short Shaft, Triangle Base, 3 Bolt Pattern</u>12
13. <u>Hook Assy, Rotary, Standard Release Rod Position, Extended Shaft, Rect. Base, 2 Bolt Pattern</u>13
14. <u>Hook Assy, Rotary, Opposite Release Rod Position, Extended Shaft, Rect. Base, 2 Bolt Pattern</u>14
15. <u>Hook Assy, Rotary, Standard Release Rod Position, Short Shaft, Rect. Base, 2 Bolt Pattern</u>15
16. <u>Strike Base Assembly, Standard Height, Narrow Rect. Base, 2 Bolt Pattern, Self Closing</u>16
17. <u>Strike Base Assembly, Standard Height, Wide Rect. Base, No Holes, Self Closing</u>17
18. <u>Strike Base Assembly, Reduced Height, Narrow Rect. Base, 2 Bolt Pattern, Self Closing</u>18
19. <u>Strike Base Assembly, Reduced Height, Wide Rect. Base, No Holes, Self Closing</u>19





INDEX:

	Page
20. <u>Strike Base Assembly, Tall Height, Triangle Base, 3 Bolt Pattern, Self Closing</u>20
21. <u>Strike Base Assembly, Tall Height, Wide Rect. Base, No Holes, Self Closing</u>21
22. <u>Strike Base Assembly, With Spring Clip, Self Closing</u>22
23. <u>Hook Assembly, Pivot Mechanism, Standard Release Rod Height, Rect. Base, 4 Bolt Pattern</u>23
24. <u>Hook Assembly, Pivot Mechanism, High Release Rod Height, Rect. Base, 4 Bolt Pattern</u>24
25. <u>Hook Assembly, Pivot Mechanism, Low Release Rod Height, Rect. Base, 4 Bolt Pattern</u>25
26. <u>Hook Assembly, Pivot Mechanism, Standard Release Rod Height, Triangle Base, 3 Bolt Pattern</u>26
27. <u>Hook Assembly, Pivot Mechanism, High Release Rod Height, Triangle Base, 3 Bolt Pattern</u>27
28. <u>Hook Assembly, Pivot Mechanism, Low Release Rod Height, Triangle Base, 3 Bolt Pattern</u>28
29. <u>Hook Assembly, Pivot Mechanism, Standard Release Rod Height, Rect. Base, 2 Bolt Pattern</u>29
30. <u>Hook Assembly, Pivot Mechanism, High Release Rod Height, Rect. Base, 2 Bolt Pattern</u>30
31. <u>Hook Assembly, Pivot Mechanism, Low Release Rod Height, Rect. Base, 2 Bolt Pattern</u>31
32. <u>Strike Base Assembly, Standard Height, Rect. Base, 2 Bolt Pattern</u>32
33. <u>Strike Base Assembly, Standard Height, Wide Rect. Base, No Holes</u>33
34. <u>Strike Base Assembly, Tall Height, Triangle Base, 3 Bolt Pattern</u>34
35. <u>Strike Base Assembly, Tall Height, Wide Rect. Base, No Holes</u>35
36. <u>Strike Base Assembly, With Spring Clip Roller Base Assembly, For Spring Clip, No Holes</u>36



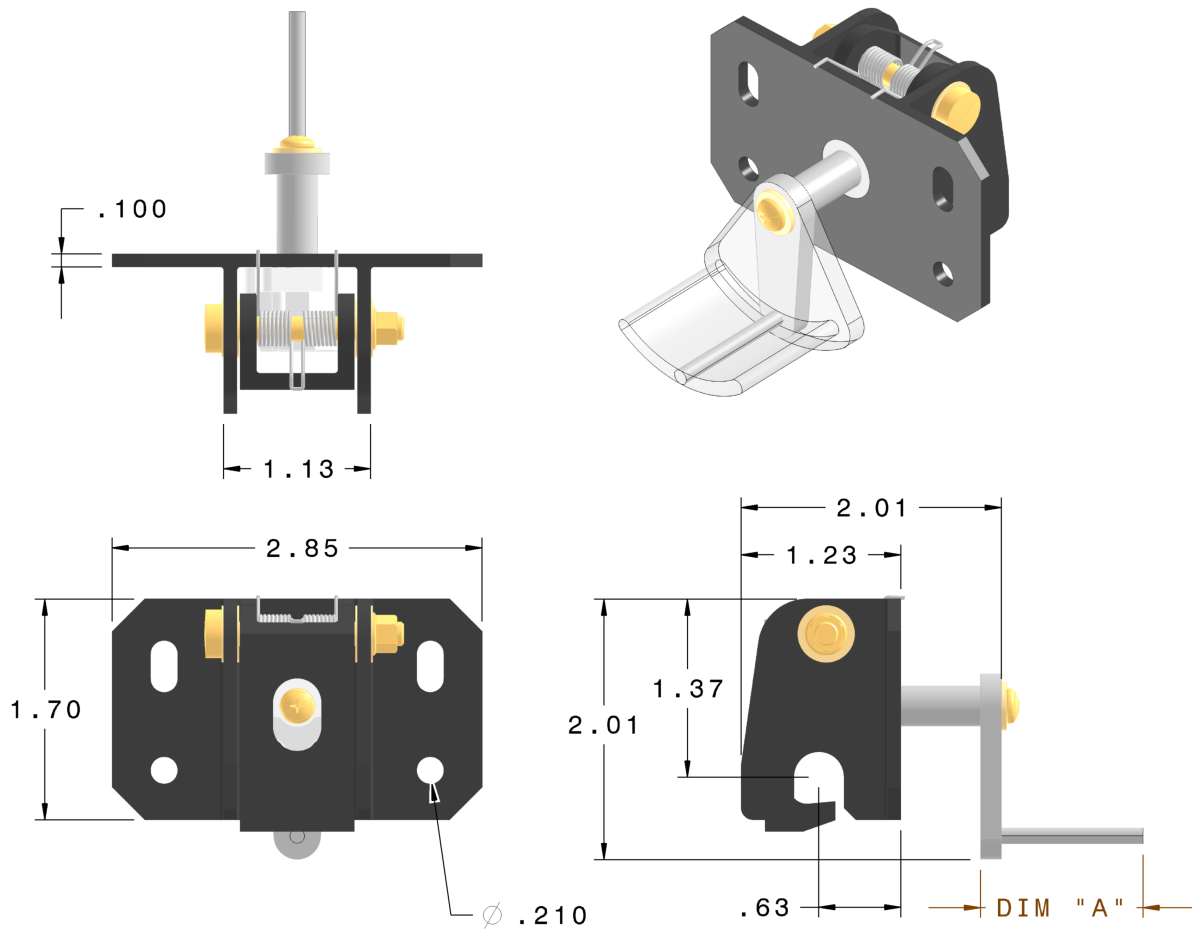


INDEX:

<u>B. Credit Card Latches:</u>	Page
37. <u>Catch Assembly, Structure to Panel, Triangle Base, 3 Bolt Pattern</u>37
38. <u>Catch Assembly, Structure to Panel, Triangle Base, 3 Bolt Pattern, Pre-Load Spring</u>38
39. <u>Catch Assembly, Panel to Panel, Rect. Base, No Hole, 0.03” Offset, Pre-Load Spring</u>39
40. <u>Catch Assembly, Panel to Panel, Rect. Base, No Hole, 0.03” Offset</u>40
41. <u>Catch Assembly, Panel to Panel, Rect. Base, No Hole, 0.17” Offset</u>41
42. <u>Catch Assembly, Structure to Panel, Joggle Rod, Rect. Base, 2 Bolt Pattern</u>42
43. <u>Catch Assembly, Structure to Panel, Angled Rod, Rect. Base, 2 Bolt Pattern</u>43
44. <u>Base Assembly, Rect. Base, 2 Bolt Pattern Catch</u>44



Quick Release Latch - Hook Assembly, Rotary Mechanism, Standard Release Rod Position, Rect. Base, 4 Bolt Pattern



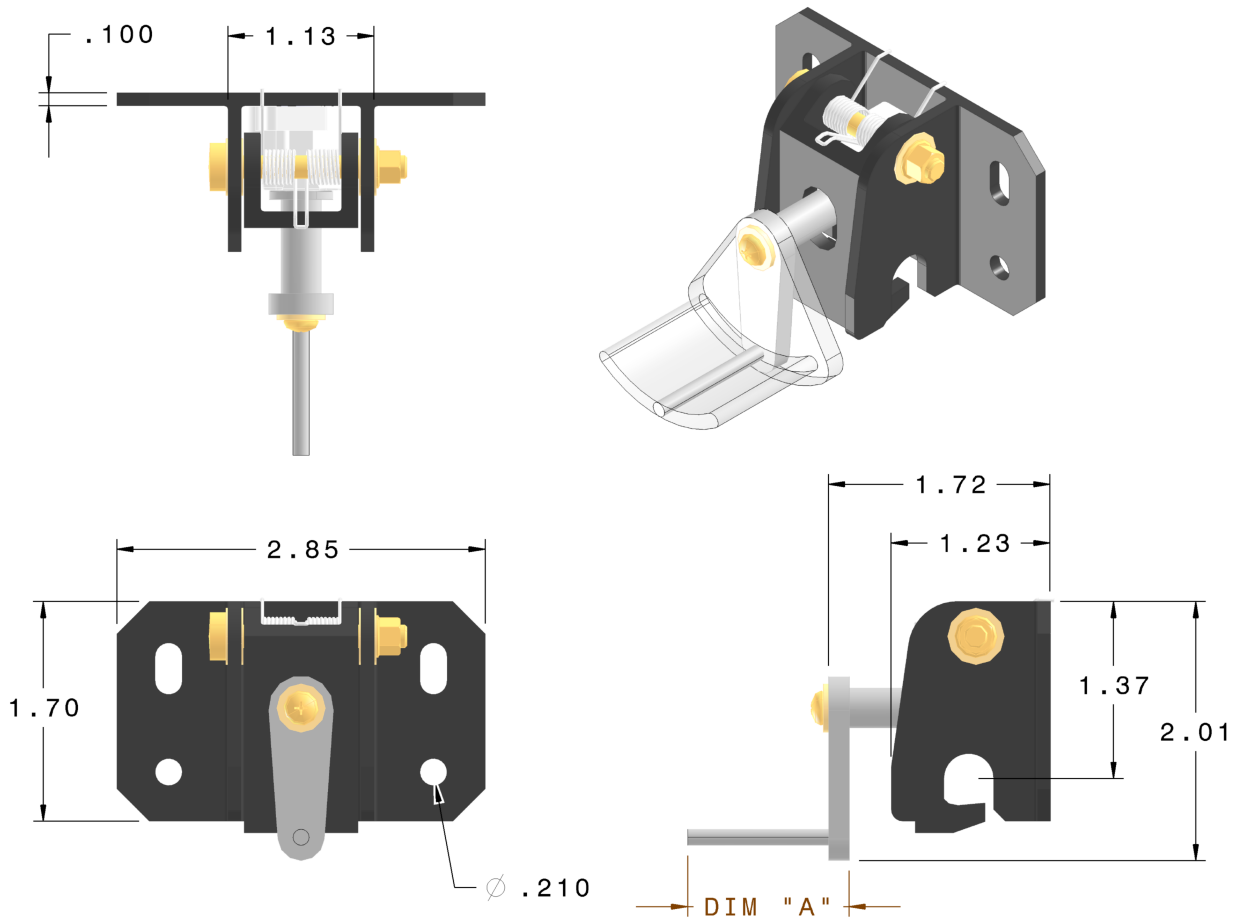
Part Number	"A"
JMIH-130-211-511	1.25"
JMIH-130-211-513	1.50"
JMIH-130-211-515	2.13"
JMIH-130-211-517	3.00"
JMIH-130-211-519	5.00"

Note: JMIH-130-211-XXX Hooks Are Designed to Work With JMIH-130-221-XXX Strikes.

[Back To INDEX](#)



Quick Release Latch - Hook Assembly, Rotary Mechanism, Opposite Release Rod Position, Rect. Base, 4 Bolt Pattern



Part Number	"A"
JMIH-130-211-512	1.25"
JMIH-130-211-514	1.50"
JMIH-130-211-516	2.13"
JMIH-130-211-518	3.00"
JMIH-130-211-520	5.00"

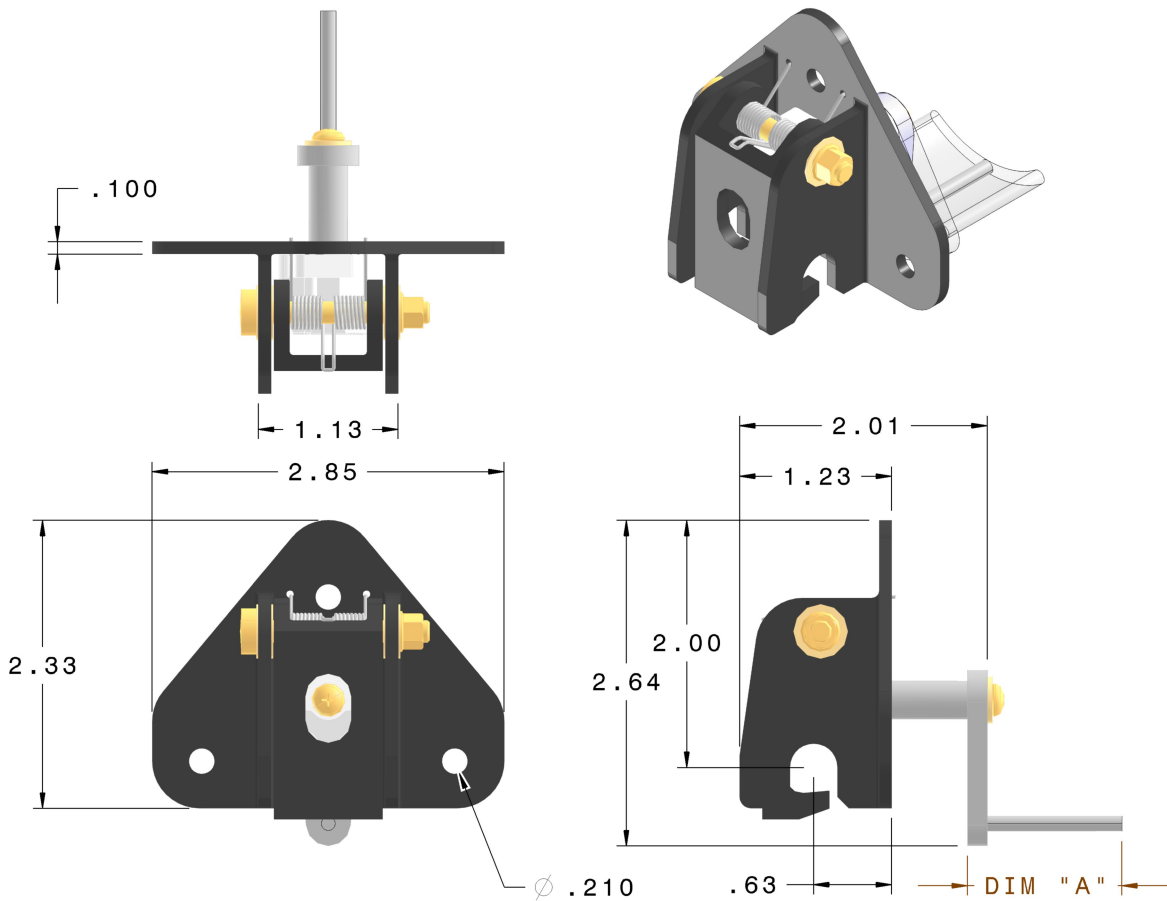
Note: JMIH-130-211-XXX Hooks Are Designed to Work With JMIH-130-221-XXX Strikes.

[Back To INDEX](#)





Quick Release Latch - Hook Assembly, Rotary Mechanism, Standard Release Rod Position, Triangle Base, 3 Bolt Pattern



Part Number	"A"
JMIH-130-211-531	1.25"
JMIH-130-211-533	1.50"
JMIH-130-211-535	2.13"
JMIH-130-211-537	3.00"
JMIH-130-211-539	5.00"

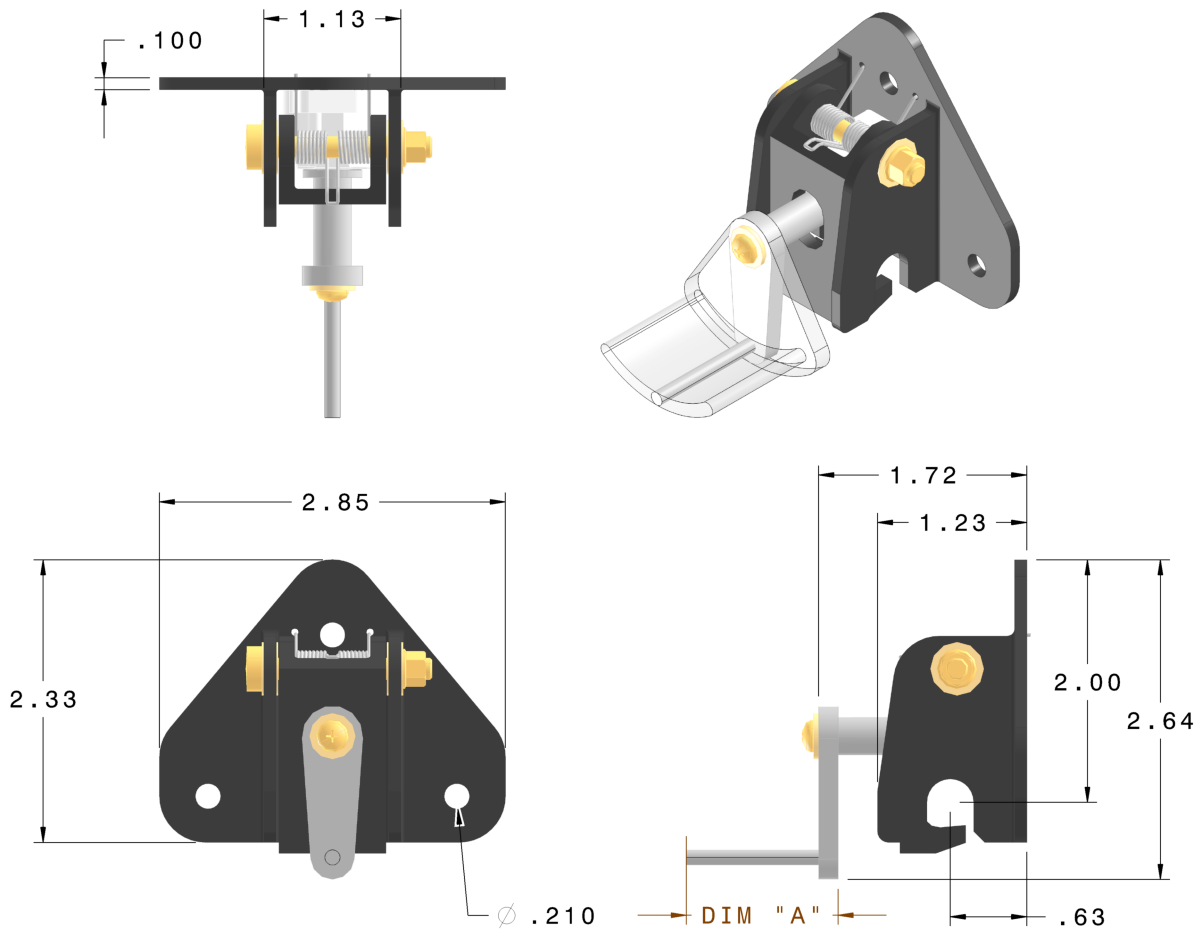
Note: JMIH-130-211-XXX Hooks Are Designed to Work With JMIH-130-221-XXX Strikes.

[Back To INDEX](#)





Quick Release Latch - Hook Assembly, Rotary Mechanism, Opposite Release Rod Position, Triangle Base, 3 Bolt Pattern



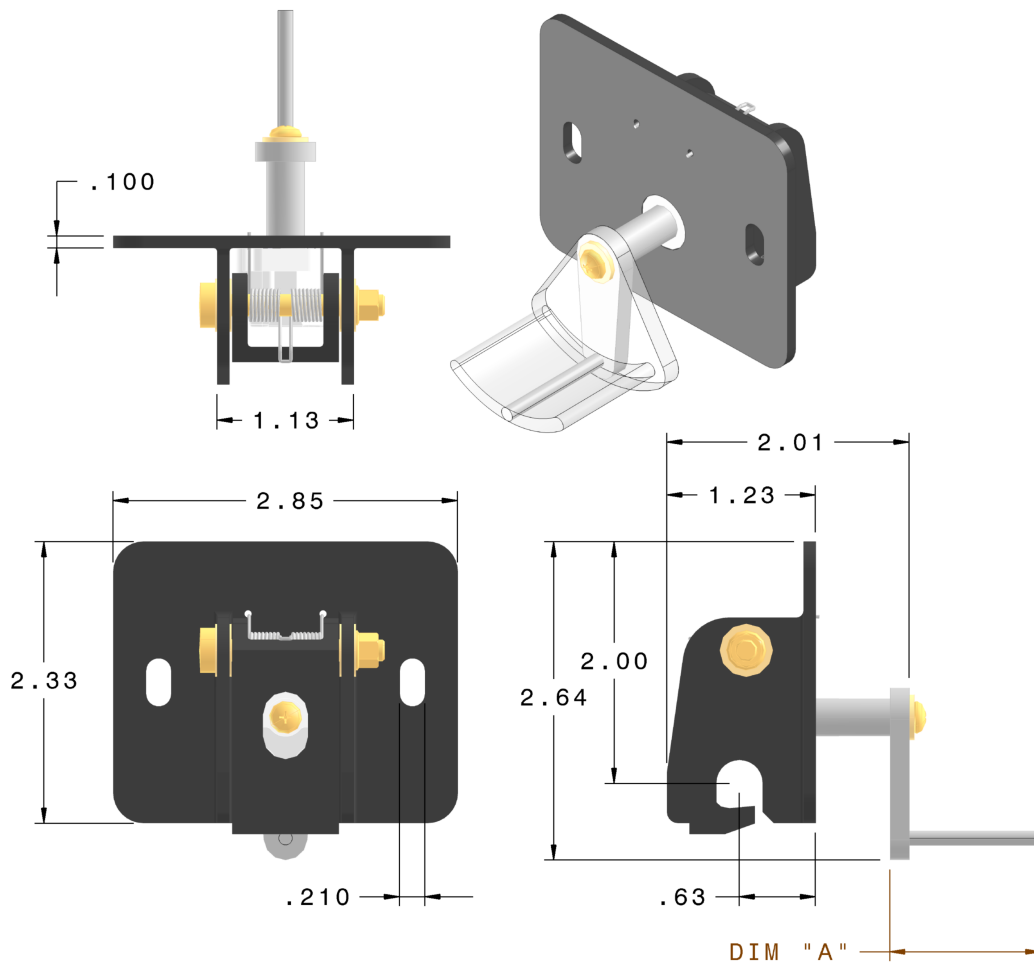
Part Number	"A"
JMIH-130-211-532	1.25"
JMIH-130-211-534	1.50"
JMIH-130-211-536	2.13"
JMIH-130-211-538	3.00"
JMIH-130-211-540	5.00"

Note: JMIH-130-211-XXX Hooks Are Designed to Work With JMIH-130-221-XXX Strikes.

[Back To INDEX](#)



Quick Release Latch - Hook Assembly, Rotary Mechanism, Standard Release Rod Position, Rect. Base, 2 Bolt Pattern



Part Number	"A"
JMIH-130-211-551	1.25"
JMIH-130-211-553	1.50"
JMIH-130-211-555	2.13"
JMIH-130-211-557	3.00"
JMIH-130-211-559	5.00"

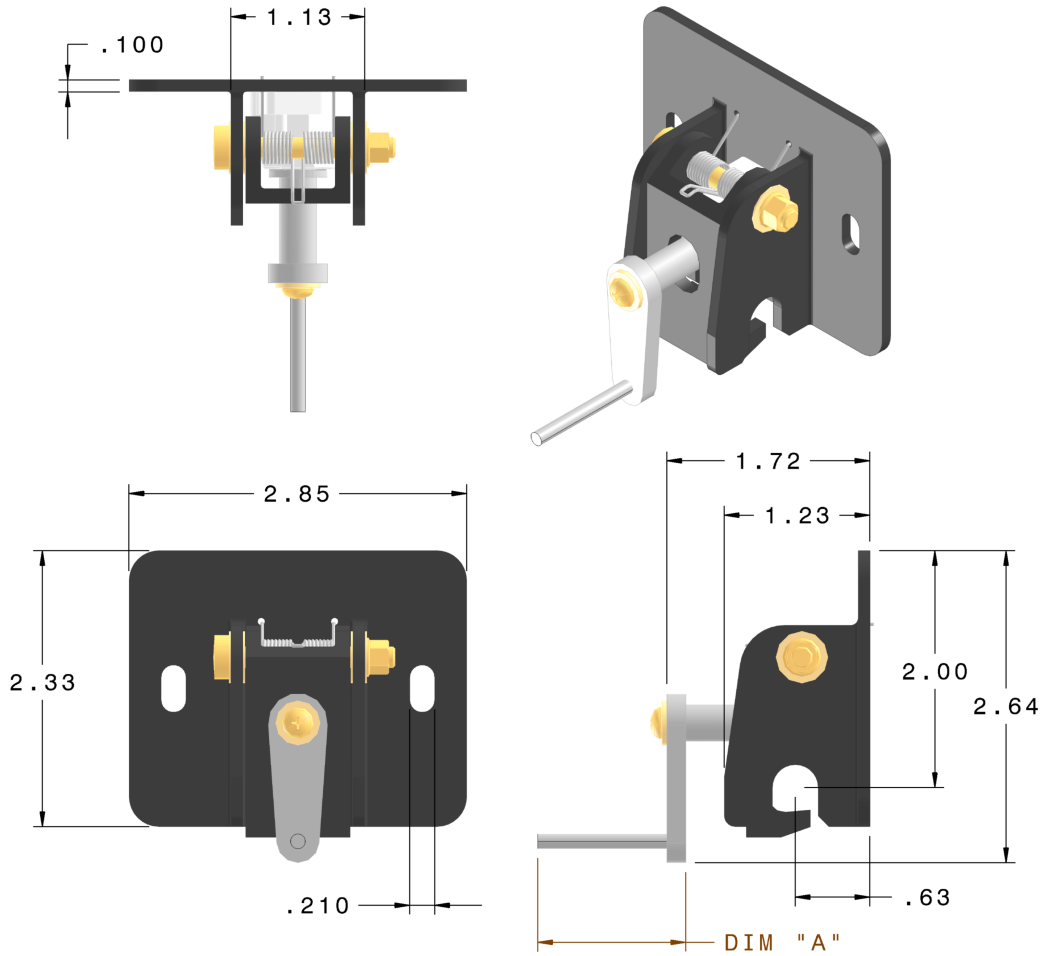
Note: JMIH-130-211-XXX Hooks Are Designed to Work With JMIH-130-221-XXX Strikes.

[Back To INDEX](#)





Quick Release Latch - Hook Assembly, Rotary Mechanism, Opposite Release Rod Position, Rect. Base, 2 Bolt Pattern



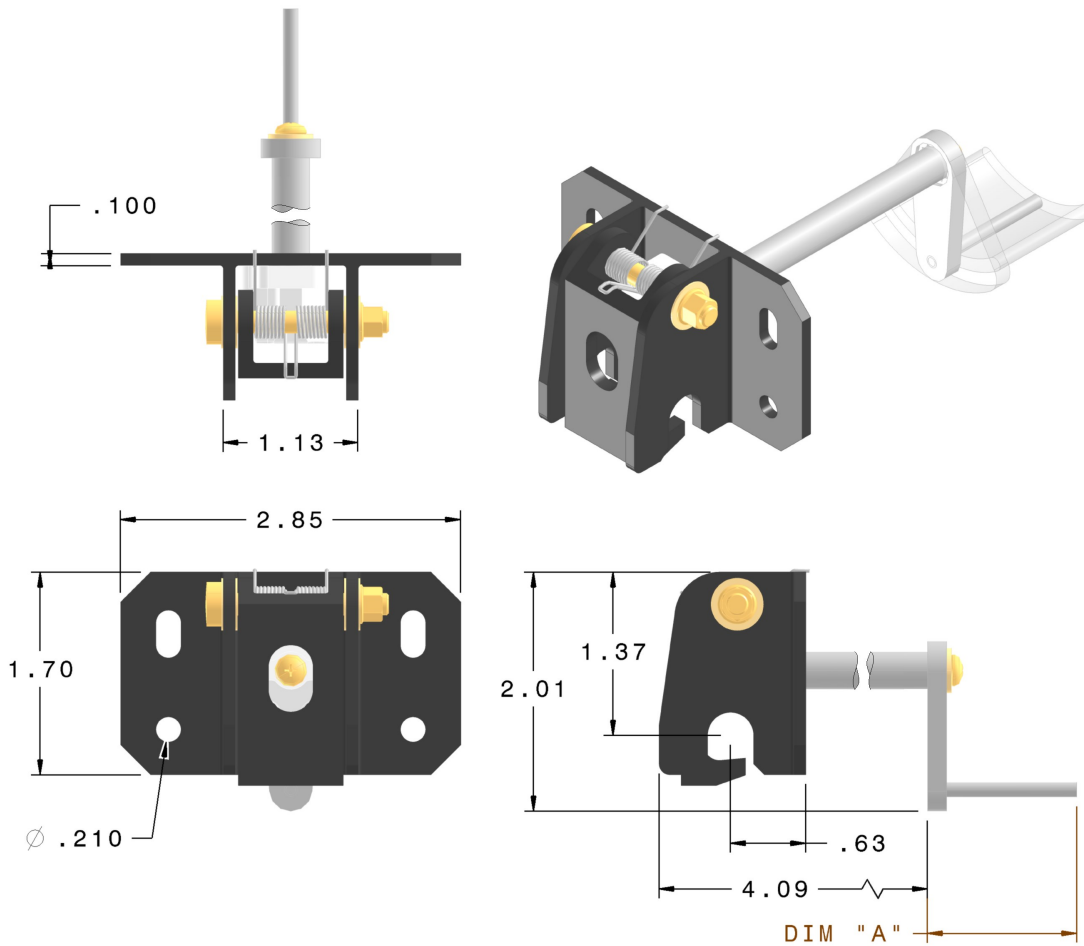
Part Number	"A"
JMIH-130-211-552	1.25"
JMIH-130-211-554	1.50"
JMIH-130-211-556	2.13"
JMIH-130-211-558	3.00"
JMIH-130-211-560	5.00"

Note: JMIH-130-211-XXX Hooks Are Designed to Work With JMIH-130-221-XXX Strikes.

[Back To INDEX](#)



Quick Release Latch - Hook Assembly, Rotary Mechanism, Standard Release Rod Position, Extended Shaft, Rect. Base, 4 Bolt Pattern



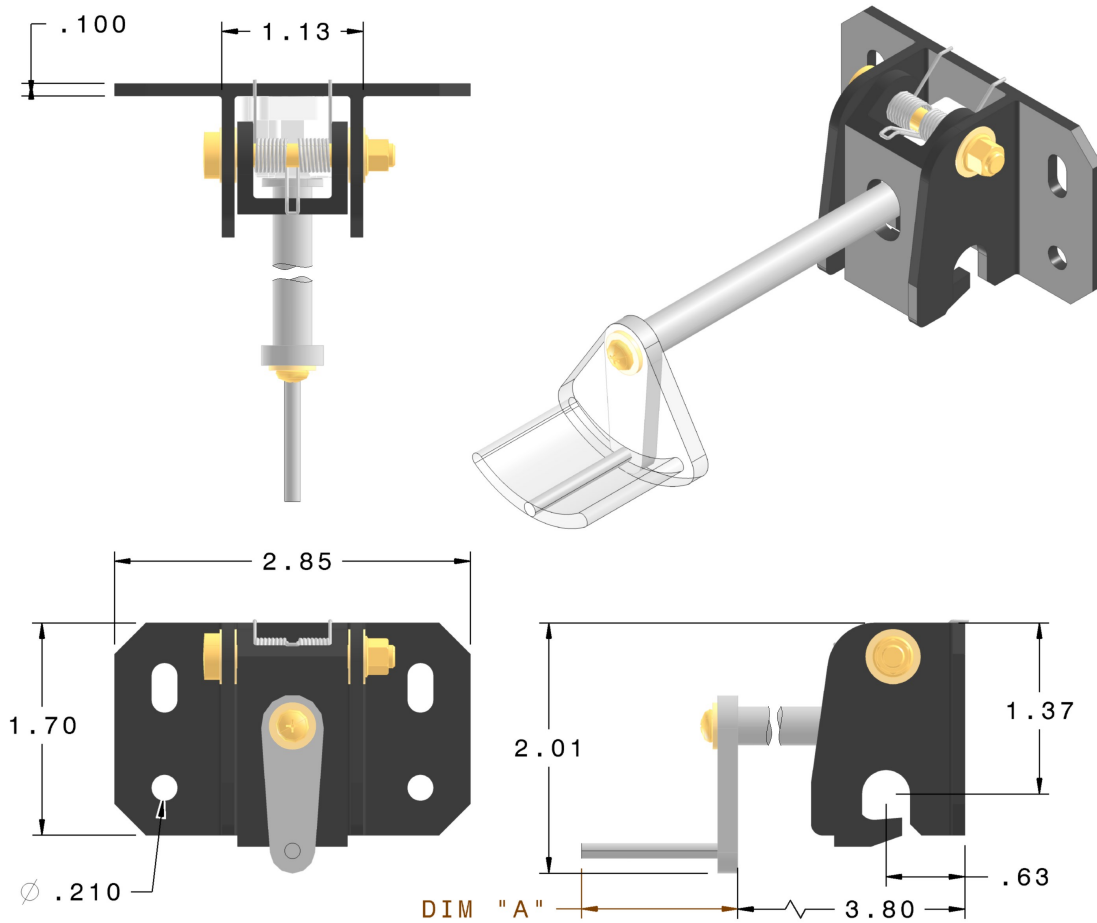
Part Number	"A"
JMIH-130-231-611	1.25"
JMIH-130-231-613	1.50"
JMIH-130-231-615	2.13"
JMIH-130-231-617	3.00"

Note: JMIH-130-231-XXX Hooks Are Designed to Work With JMIH-130-221-XXX Strikes.

[Back To INDEX](#)



Quick Release Latch - Hook Assembly, Rotary Mechanism, Opposite Release Rod Position, Extended Shaft, Rect. Base, 4 Bolt Pattern



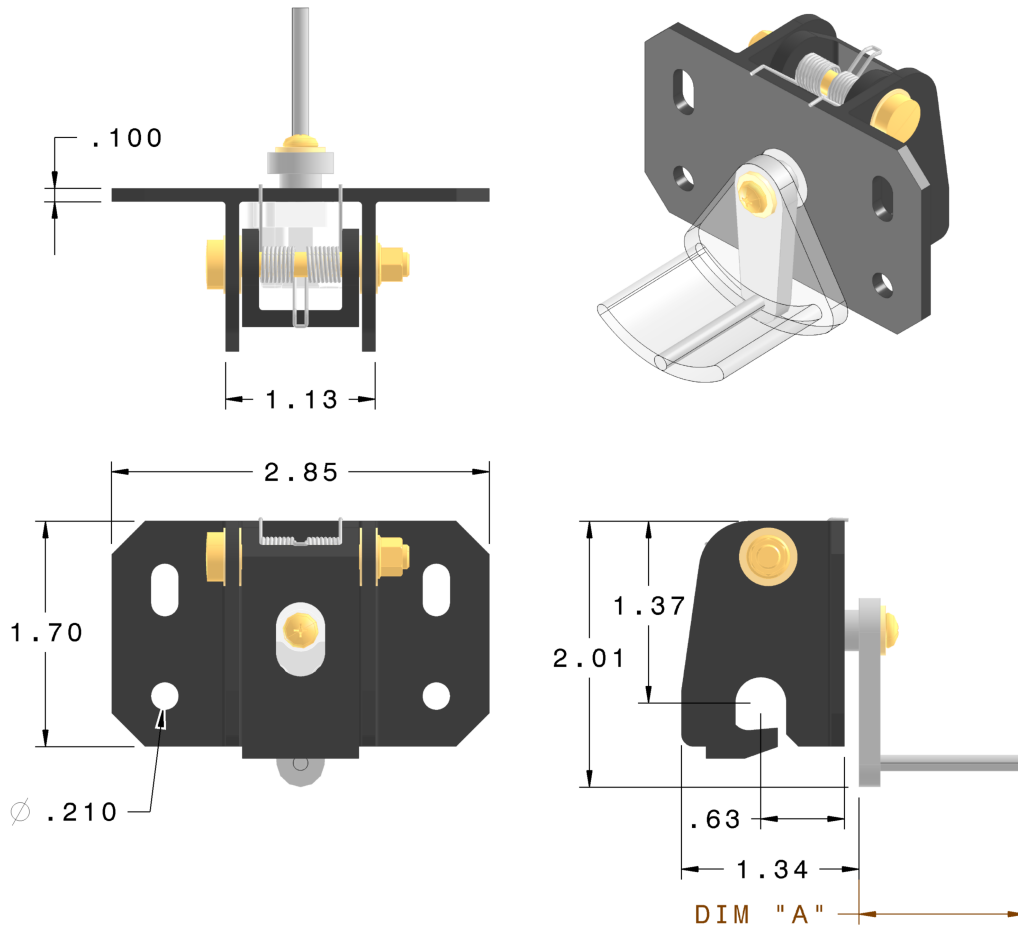
Part Number	"A"
JMIH-130-231-612	1.25"
JMIH-130-231-614	1.50"
JMIH-130-231-616	2.13"
JMIH-130-231-618	3.00"

Note: JMIH-130-231-XXX Hooks Are Designed to Work With JMIH-130-221-XXX Strikes.

[Back To INDEX](#)



Quick Release Latch - Hook Assembly, Rotary Mechanism, Standard Release Rod Position, Short Shaft, Rect. Base, 4 Bolt Pattern



Part Number	"A"
JMIH-130-231-621	1.25"
JMIH-130-231-623	1.50"
JMIH-130-231-625	2.13"
JMIH-130-231-627	3.00"

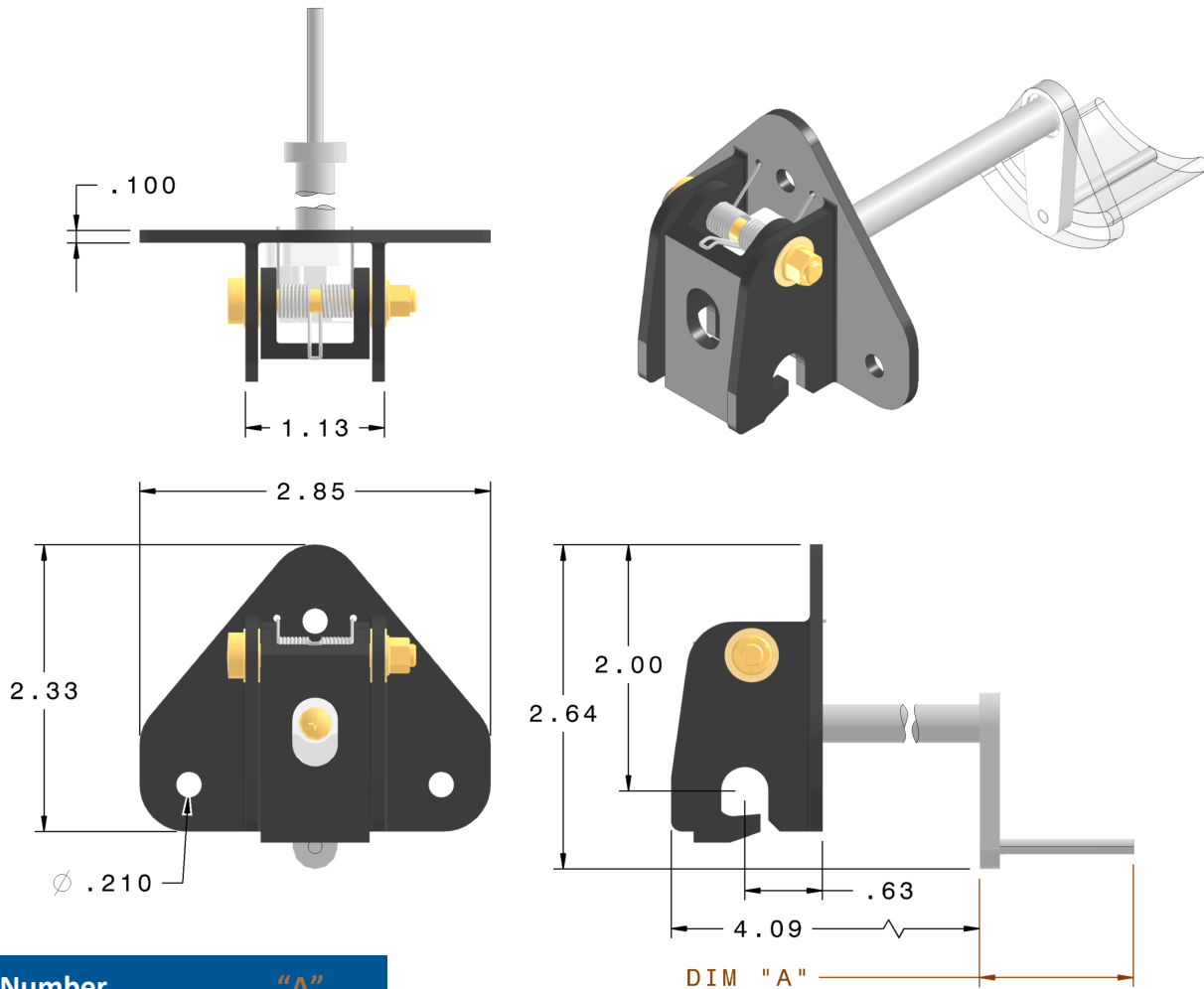
Note: JMIH-130-231-XXX Hooks Are Designed to Work With JMIH-130-221-XXX Strikes.

[Back To INDEX](#)





Quick Release Latch - Hook Assembly, Rotary Mechanism, Standard Release Rod Position, Extended Shaft, Triangle Base, 3 Bolt Pattern



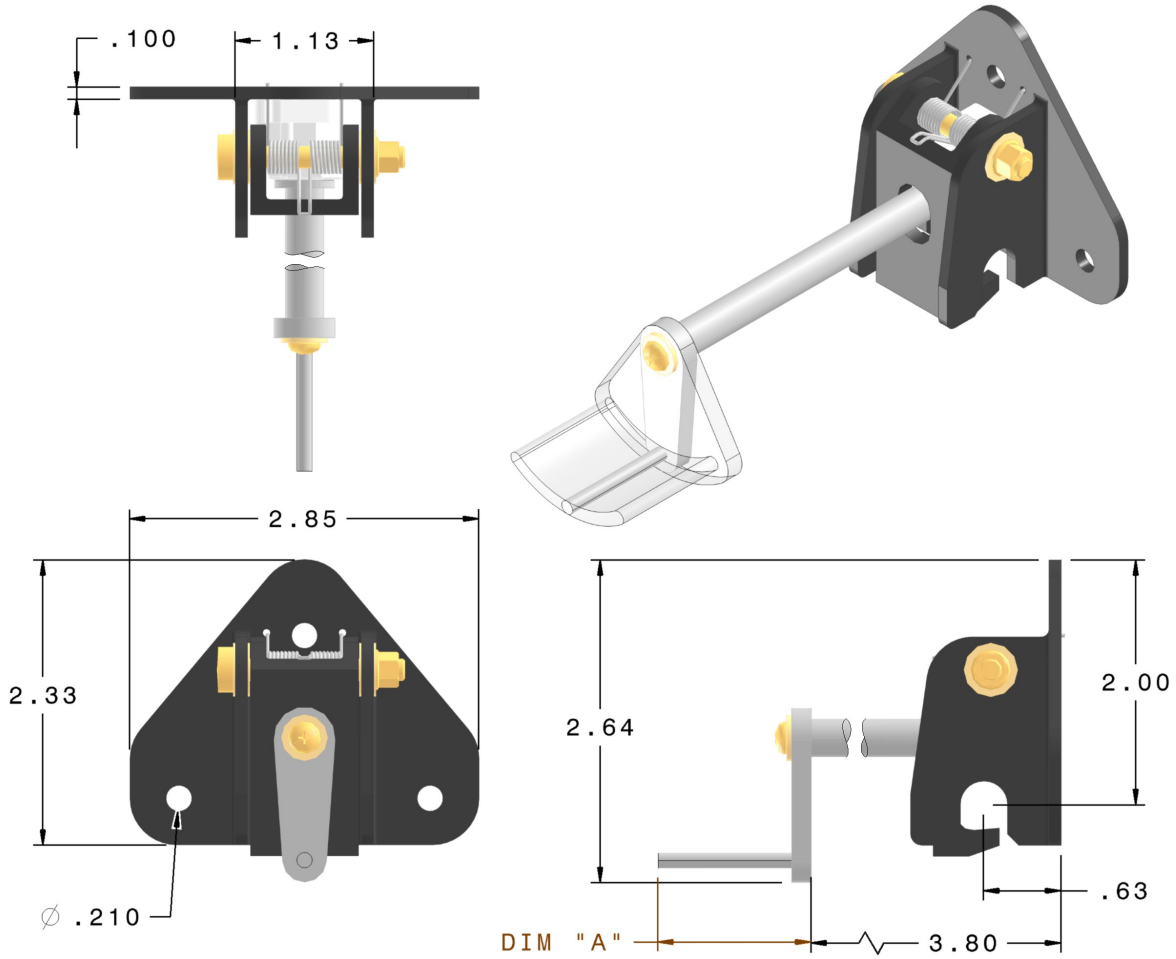
Part Number	"A"
JMIH-130-231-631	1.25"
JMIH-130-231-633	1.50"
JMIH-130-231-635	2.13"
JMIH-130-231-637	3.00"

Note: JMIH-130-231-XXX Hooks Are Designed to Work With JMIH-130-221-XXX Strikes.

[Back To INDEX](#)



Quick Release Latch - Hook Assembly, Rotary Mechanism, Opposite Release Rod Position, Extended Shaft, Triangle Base, 3 Bolt Pattern



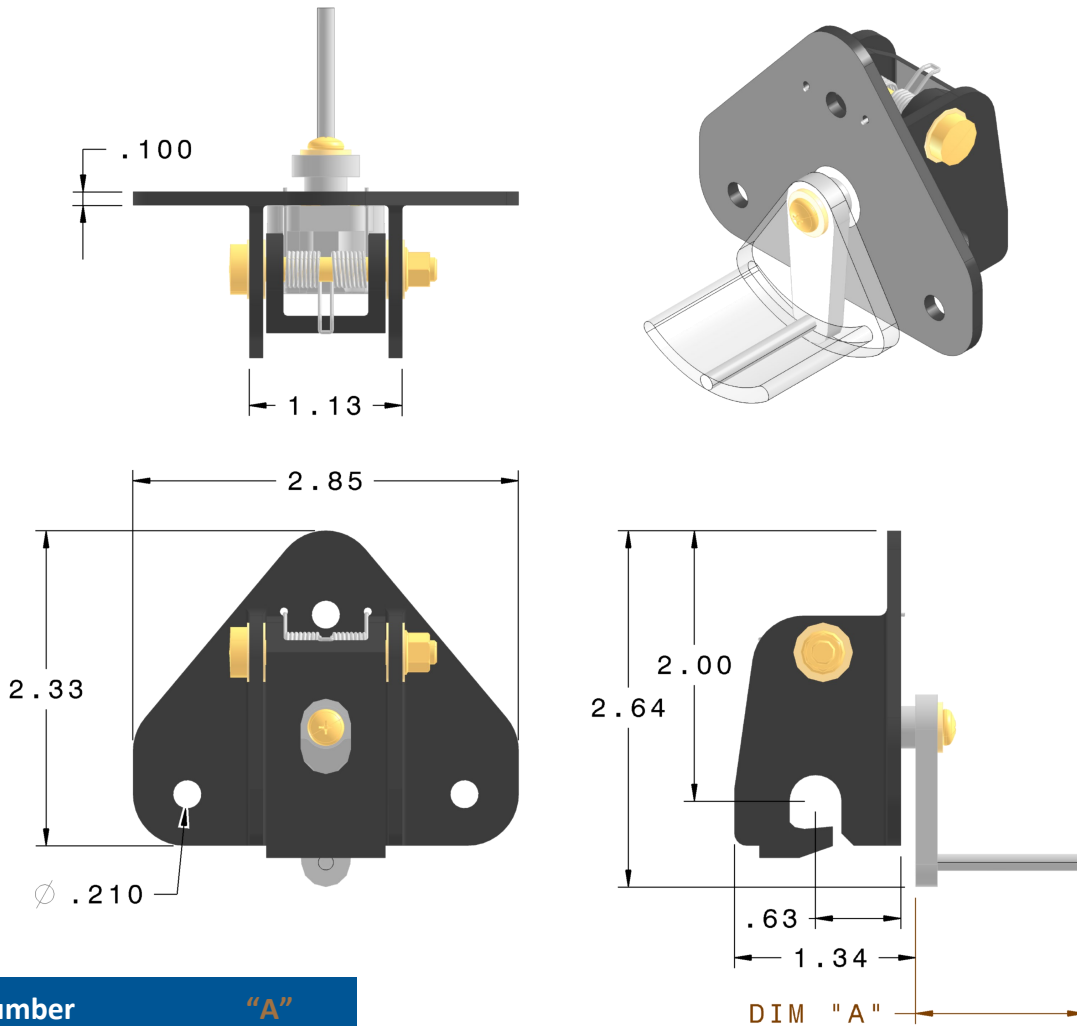
Part Number	"A"
JMIH-130-231-632	1.25"
JMIH-130-231-634	1.50"
JMIH-130-231-636	2.13"
JMIH-130-231-638	3.00"

Note: JMIH-130-231-XXX Hooks Are Designed to Work With JMIH-130-221-XXX Strikes.

[Back To INDEX](#)



Quick Release Latch - Hook Assembly, Rotary Mechanism, Standard Release Rod Position, Short Shaft, Triangle Base, 3 Bolt Pattern



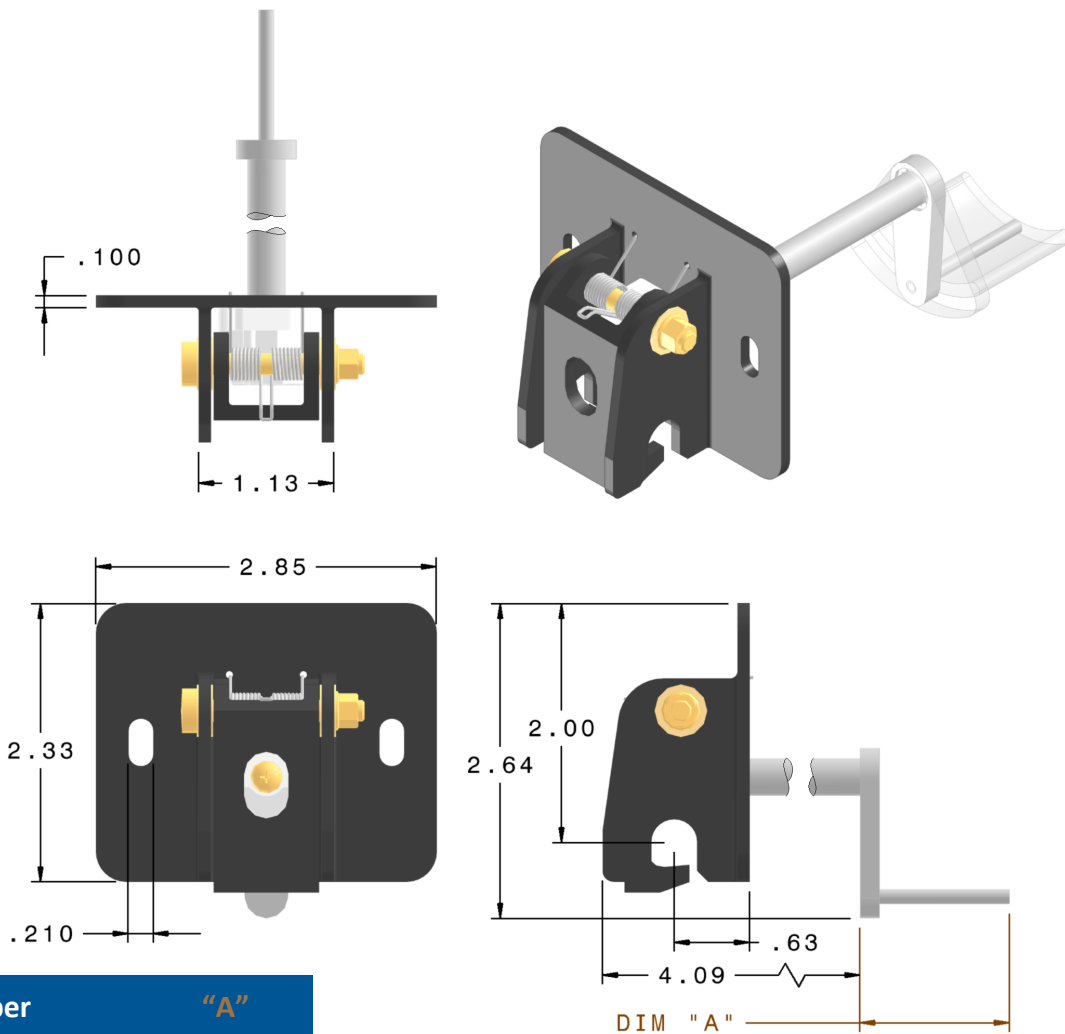
Part Number	"A"
JMIH-130-231-641	1.25"
JMIH-130-231-643	1.50"
JMIH-130-231-645	2.13"
JMIH-130-231-647	3.00"

Note: JMIH-130-231-XXX Hooks Are Designed to Work With JMIH-130-221-XXX Strikes.

[Back To INDEX](#)



Quick Release Latch - Hook Assembly, Rotary Mechanism, Standard Release Rod Position, Extended Shaft, Rect. Base, 2 Bolt Pattern



Part Number	"A"
JMIH-130-231-651	1.25"
JMIH-130-231-653	1.50"
JMIH-130-231-655	2.13"
JMIH-130-231-657	3.00"

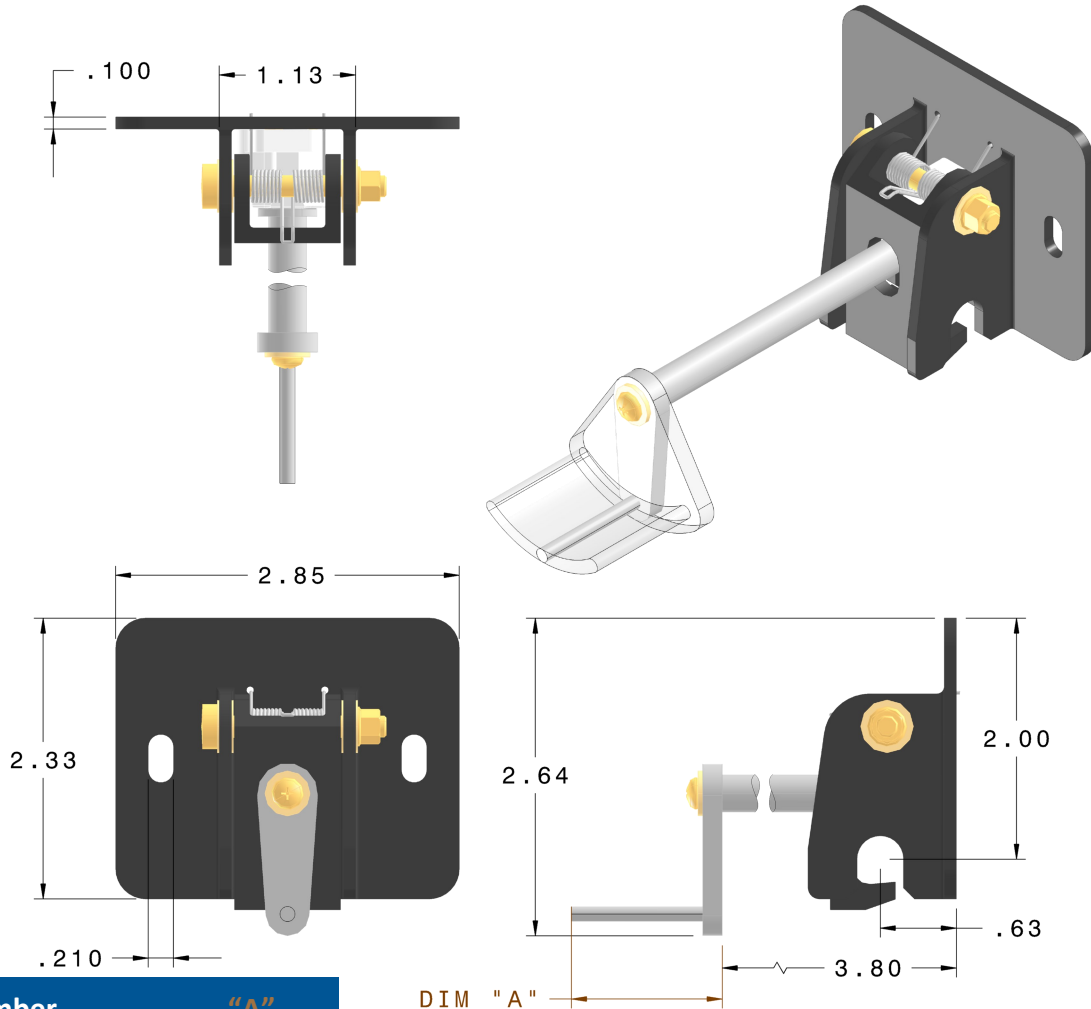
Note: JMIH-130-231-XXX Hooks Are Designed to Work With JMIH-130-221-XXX Strikes.

[Back To INDEX](#)





Quick Release Latch - Hook Assembly, Rotary Mechanism, Opposite Release Rod Position, Extended Shaft, Rect. Base, 2 Bolt Pattern



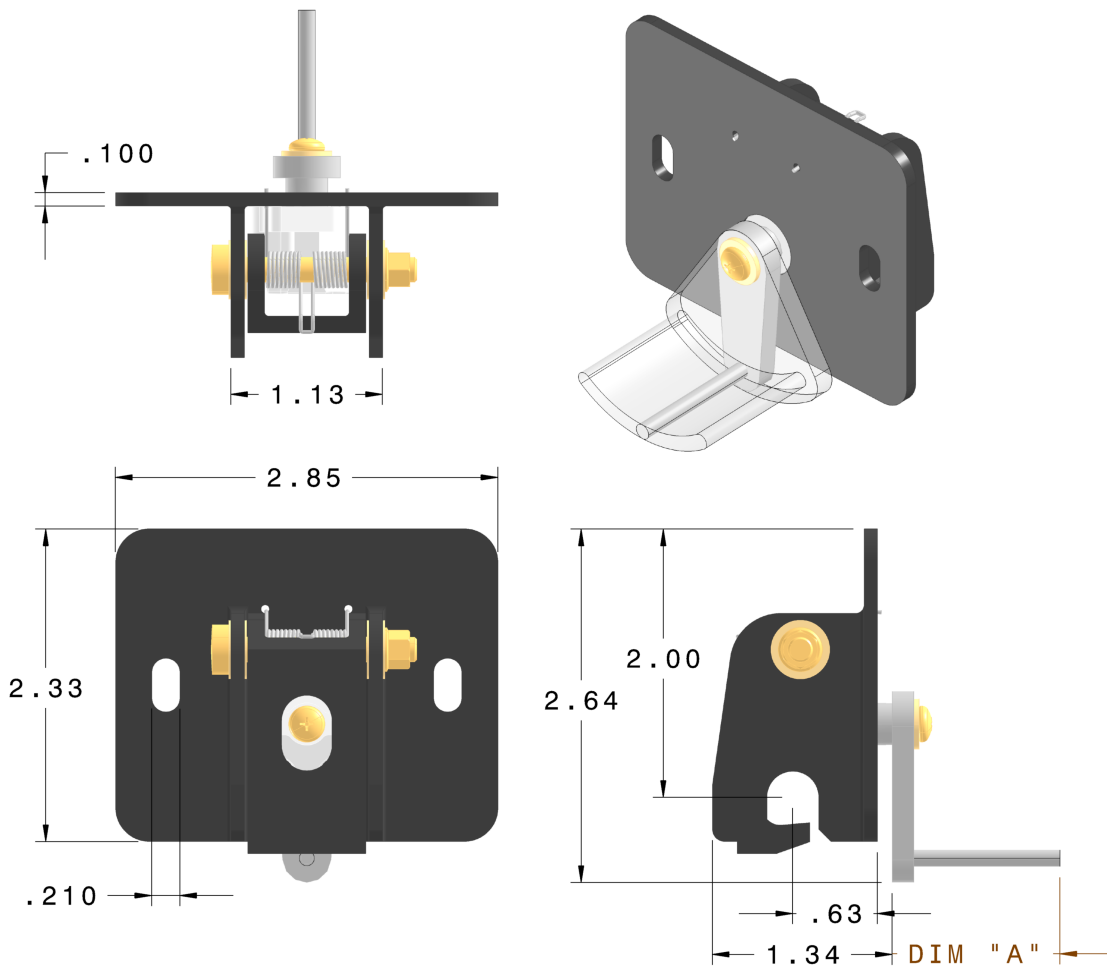
Part Number	"A"
JMIH-130-231-652	1.25"
JMIH-130-231-654	1.50"
JMIH-130-231-656	2.13"
JMIH-130-231-658	3.00"

Note: JMIH-130-231-XXX Hooks Are Designed to Work With JMIH-130-221-XXX Strikes.

[Back To INDEX](#)



Quick Release Latch - Hook Assembly, Rotary Mechanism, Standard Release Rod Position, Short Shaft, Rect. Base, 2 Bolt Pattern



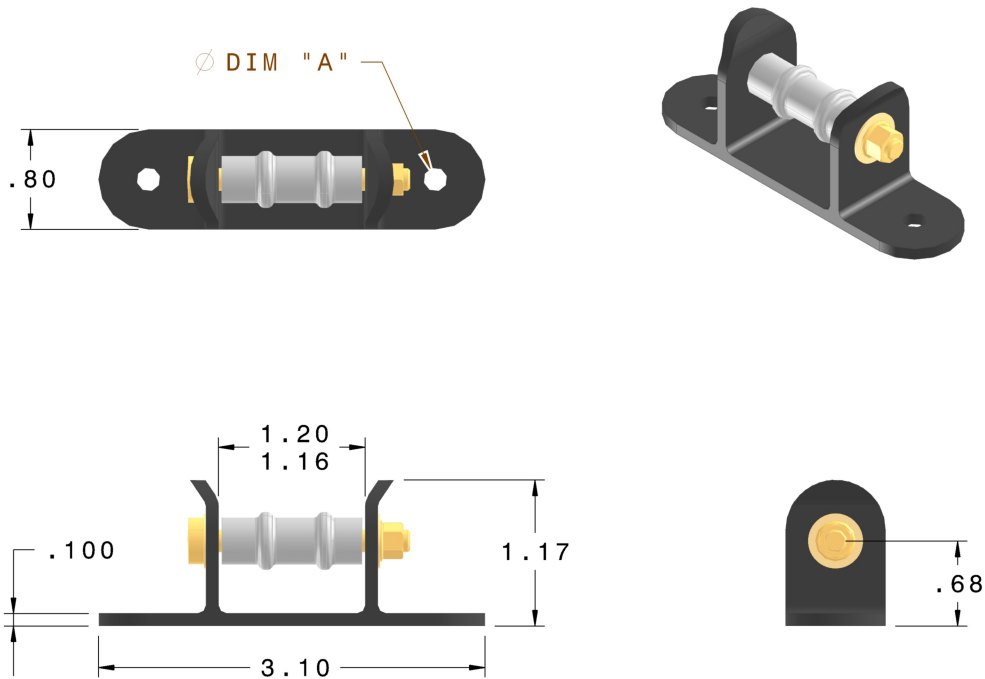
Part Number	"A"
JMIH-130-231-661	1.25"
JMIH-130-231-663	1.50"
JMIH-130-231-665	2.13"
JMIH-130-231-667	3.00"

Note: JMIH-130-231-XXX Hooks Are Designed to Work With JMIH-130-221-XXX Strikes.

[Back To INDEX](#)



Quick Release Latch - Strike Base Assembly, Standard Height, Narrow Rect. Base, 2 Bolt Pattern, Self Closing



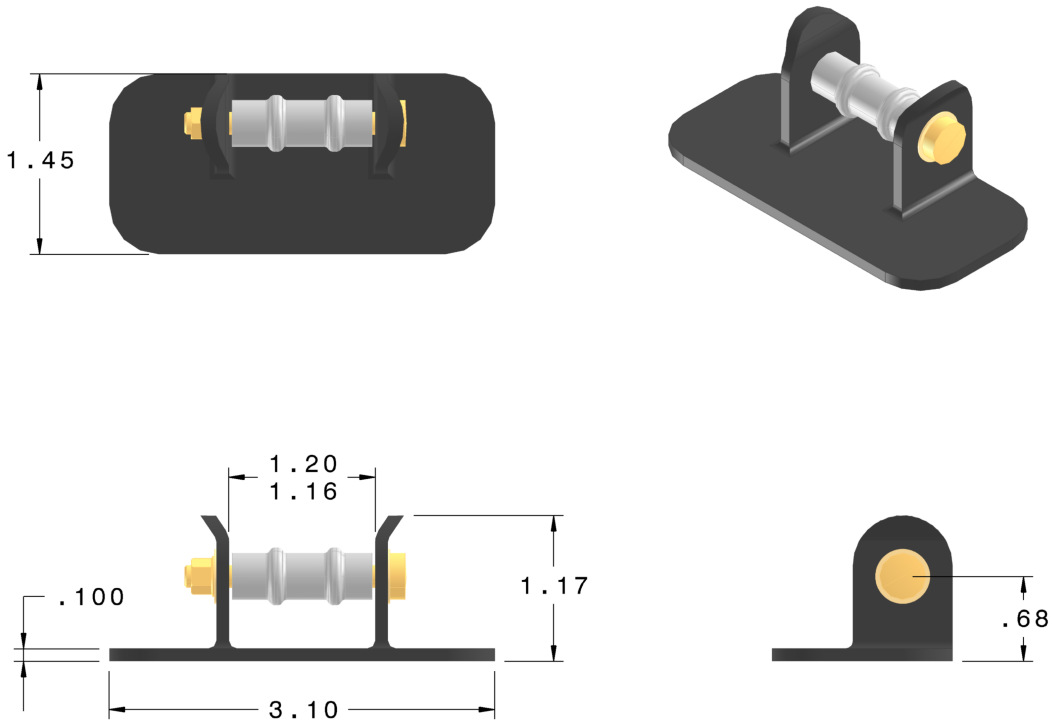
Part Number	"A"
JMIH-130-221-121	Ø.194 - .199
JMIH-130-221-125	Ø.250 - .254

[Back To INDEX](#)





Quick Release Latch - Strike Base Assembly, Standard Height, Wide Rect. Base, No Holes, Self Closing



Part Number

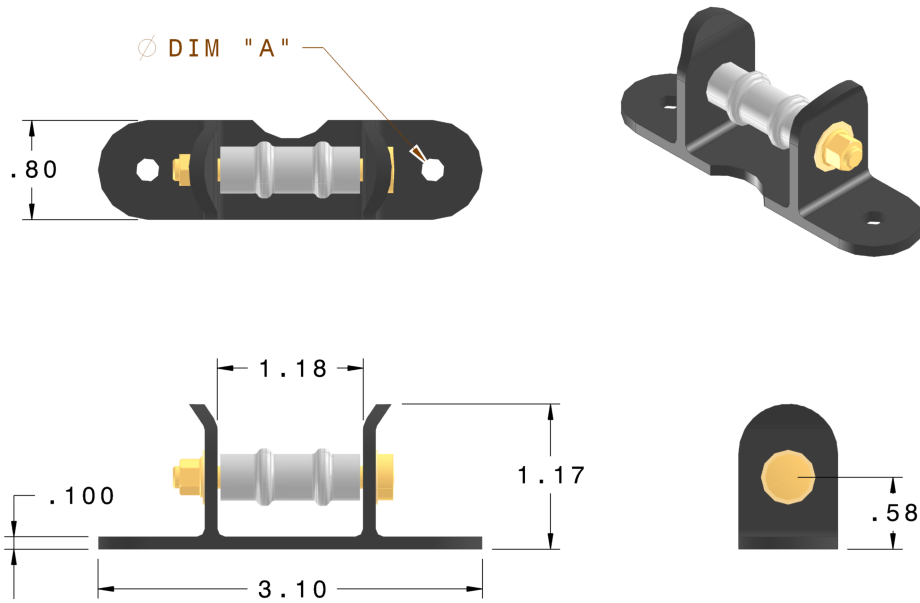
JMIH-130-221-123

[Back To INDEX](#)





Quick Release Latch - Strike Base Assembly, Reduced Height, Narrow Rect. Base, 2 Bolt Pattern, Self Closing



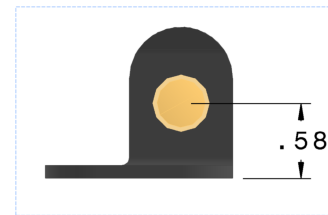
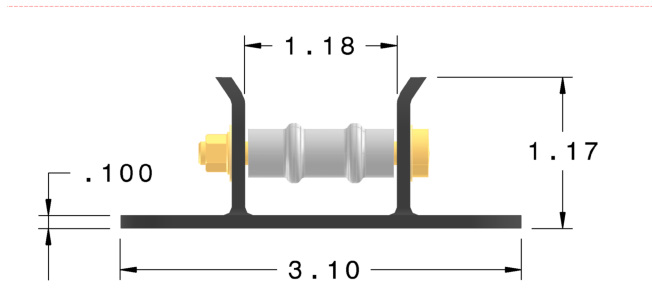
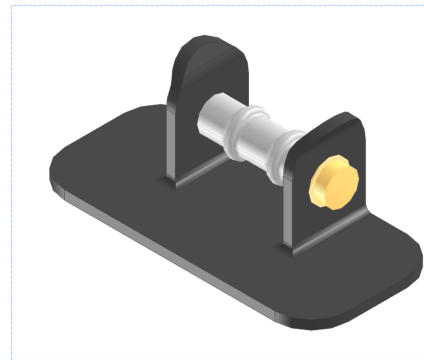
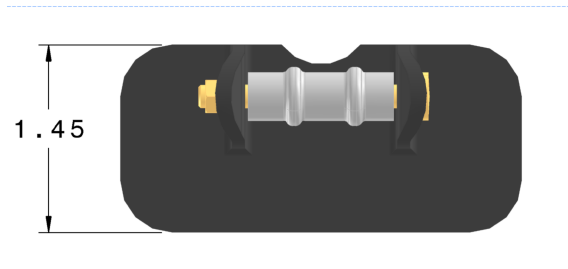
Part Number	"A"
JMIH-130-221-131	Ø.194 - .199
JMIH-130-221-135	Ø.250 - .254

[Back To INDEX](#)





Quick Release Latch - Strike Base Assembly, Reduced Height, Wide Rect. Base, No Holes, Self Closing



Part Number

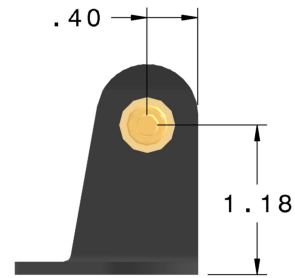
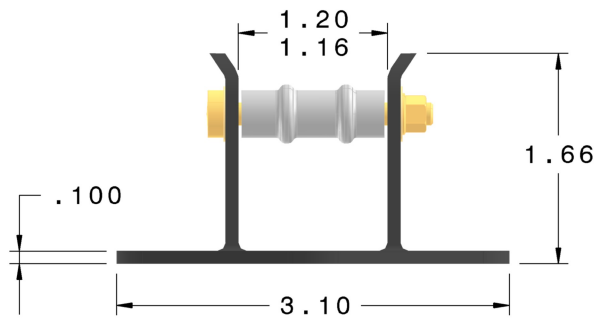
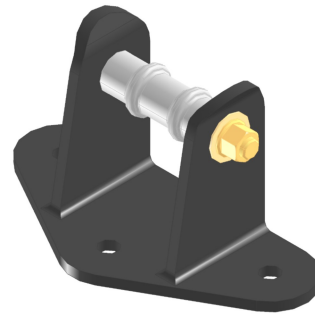
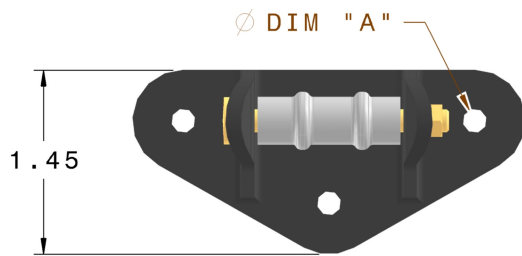
JMIH-130-221-133

[Back To INDEX](#)





Quick Release Latch - Strike Base Assembly, Tall Height, Triangle Base, 3 Bolt Pattern, Self Closing

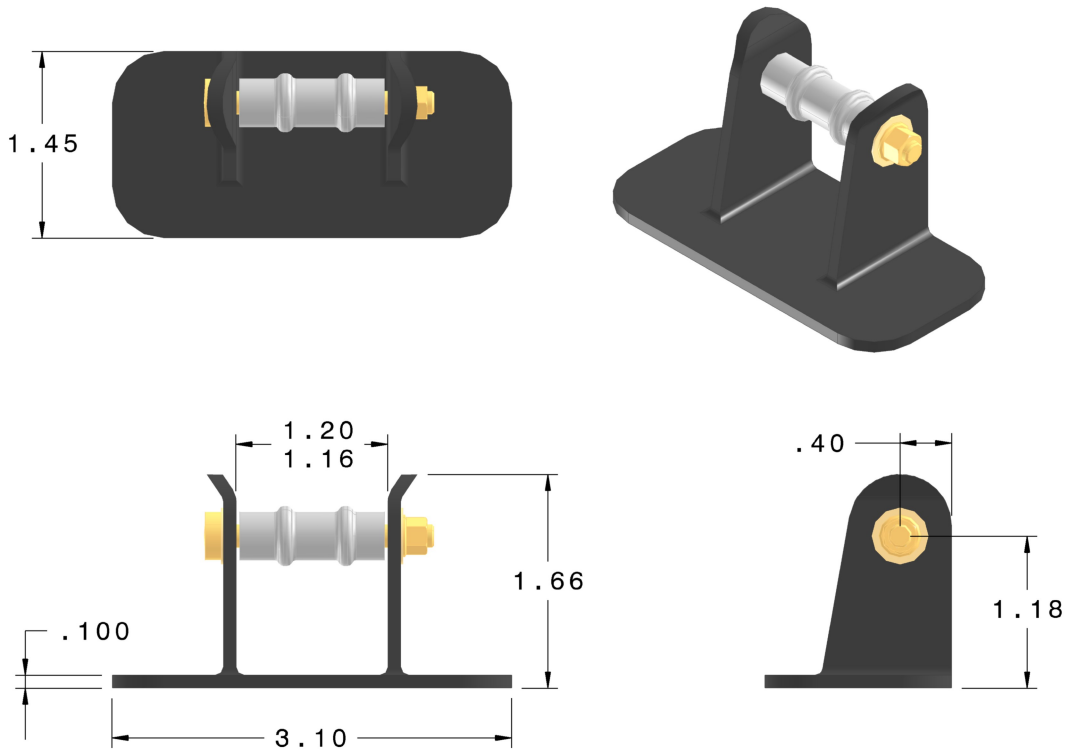


Part Number	"A"
JMIH-130-221-161	Ø.194 - .199
JMIH-130-221-165	Ø.250 - .254

[Back To INDEX](#)



Quick Release Latch - Strike Base Assembly, Tall Height, Wide Rect. Base, No Holes, Self Closing



Part Number

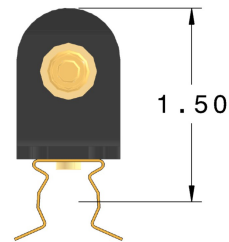
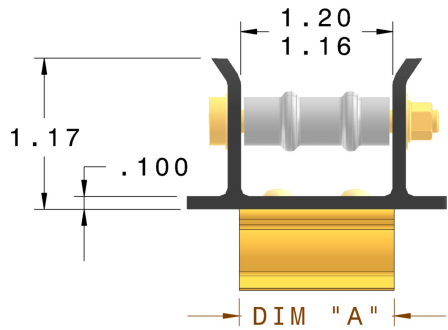
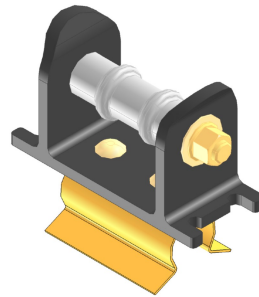
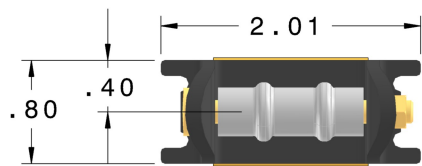
JMIH-130-221-163

[Back To INDEX](#)





Quick Release Latch - Strike Base Assembly, With Spring Clip Self Closing



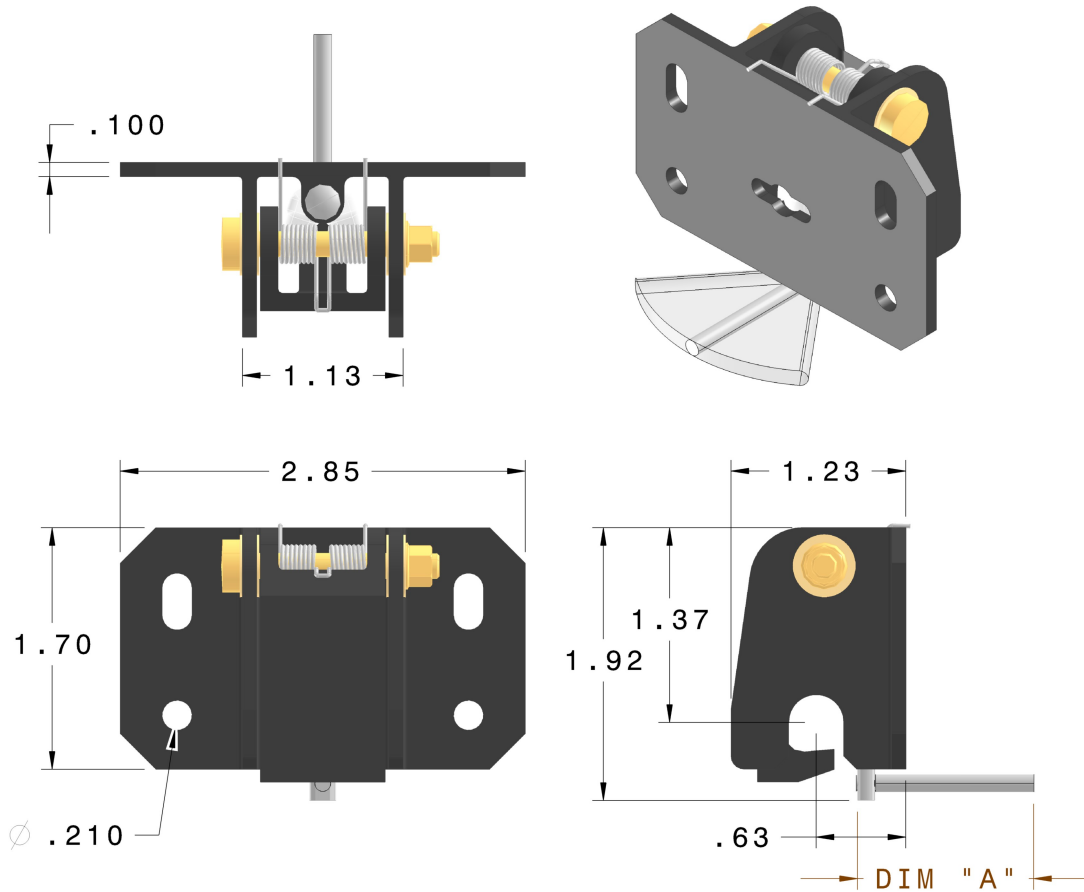
Part Number	"A"
JMIH-130-221-221	.40"
JMIH-130-221-223	.80"
JMIH-130-221-225	1.00"
JMIH-130-221-227	1.20"
JMIH-130-221-229	.60"

[Back To INDEX](#)





Quick Release Latch - Hook Assembly, Pivot Mechanism, Standard Release Rod Height, Rect. Base, 4 Bolt Pattern



Part Number	"A"
JMIH-130-201-011	1.25"
JMIH-130-201-013	1.50"
JMIH-130-201-015	2.13"
JMIH-130-201-017	3.00"
JMIH-130-201-019	5.00"

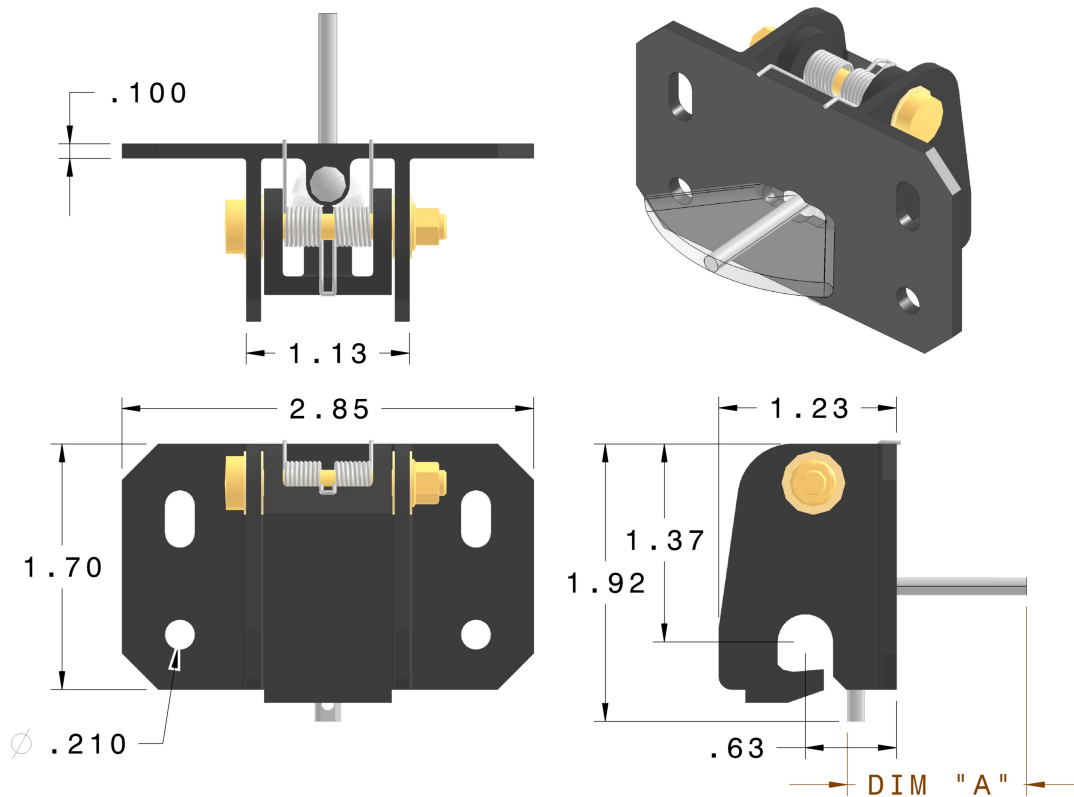
Note: JMIH-130-201-XXX Hooks Are Designed to Work With JMIH-130-201-XXX Strikes.

[Back To INDEX](#)





Quick Release Latch - Hook Assembly, Pivot Mechanism, High Release Rod Height, Rect. Base, 4 Bolt Pattern



Part Number	"A"
JMIH-130-201-012	1.25"
JMIH-130-201-014	1.50"
JMIH-130-201-016	2.13"
JMIH-130-201-018	3.00"
JMIH-130-201-020	5.00"

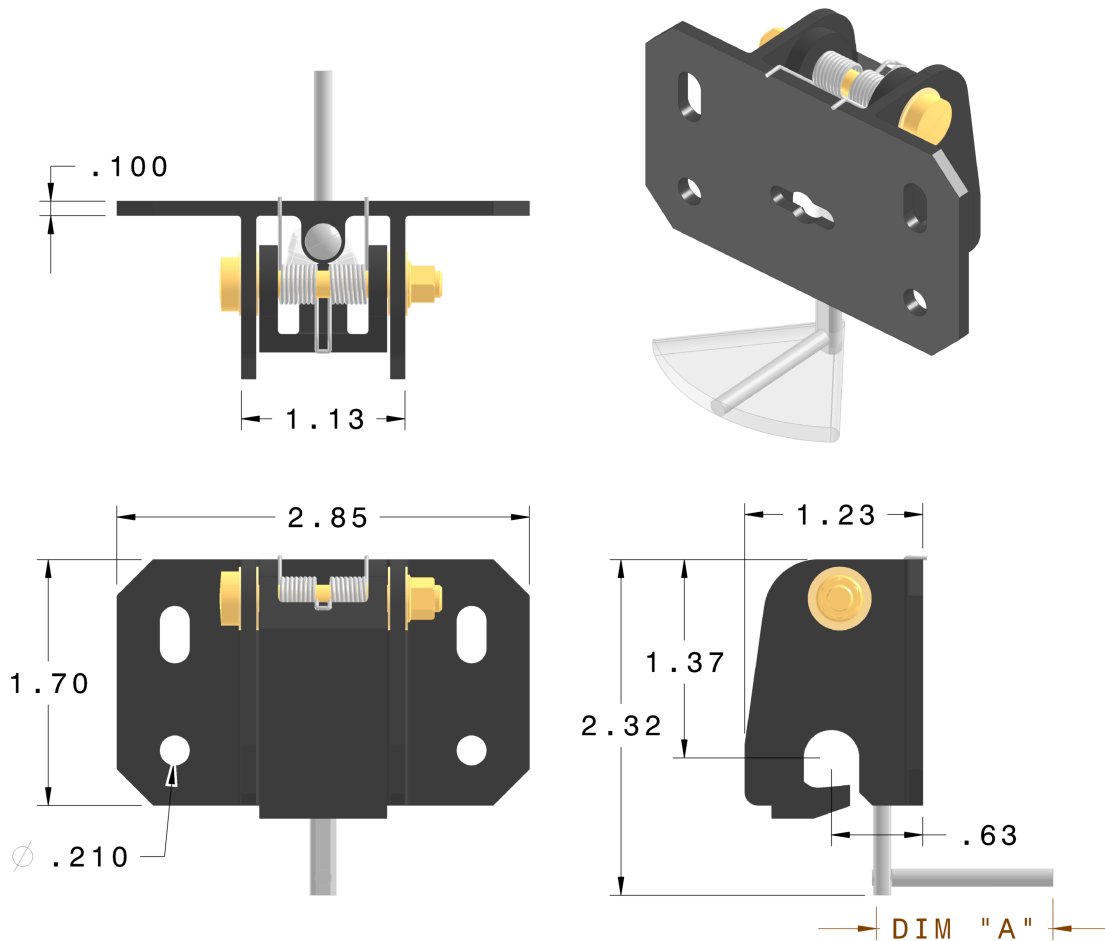
Note: JMIH-130-201-XXX Hooks Are Designed to Work With JMIH-130-201-XXX Strikes.

[Back To INDEX](#)





Quick Release Latch - Hook Assembly, Pivot Mechanism, Low Release Rod Height, Rect. Base, 4 Bolt Pattern



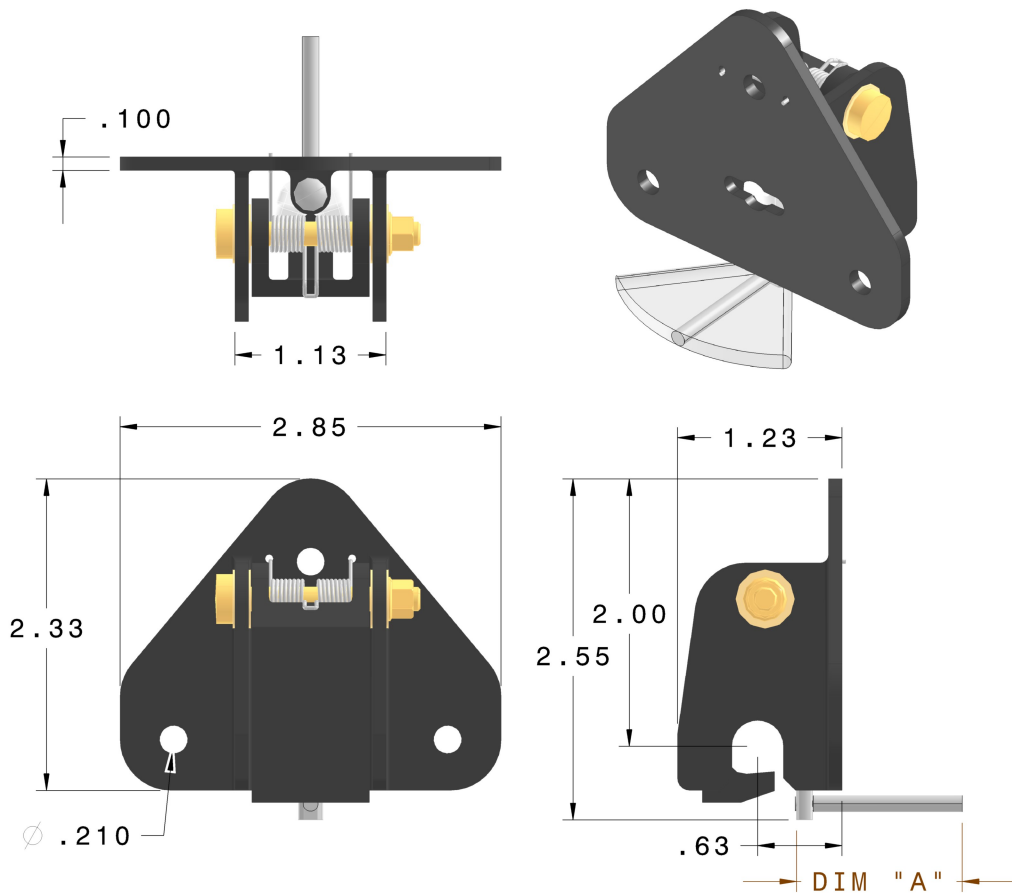
Part Number	"A"
JMIH-130-201-031	1.25"
JMIH-130-201-033	1.50"
JMIH-130-201-035	2.13"
JMIH-130-201-037	3.00"
JMIH-130-201-039	5.00"

Note: JMIH-130-201-XXX Hooks Are Designed to Work With JMIH-130-201-XXX Strikes.

[Back To INDEX](#)



Quick Release Latch - Hook Assembly, Pivot Mechanism, Standard Release Rod Height, Triangle Base, 3 Bolt Pattern



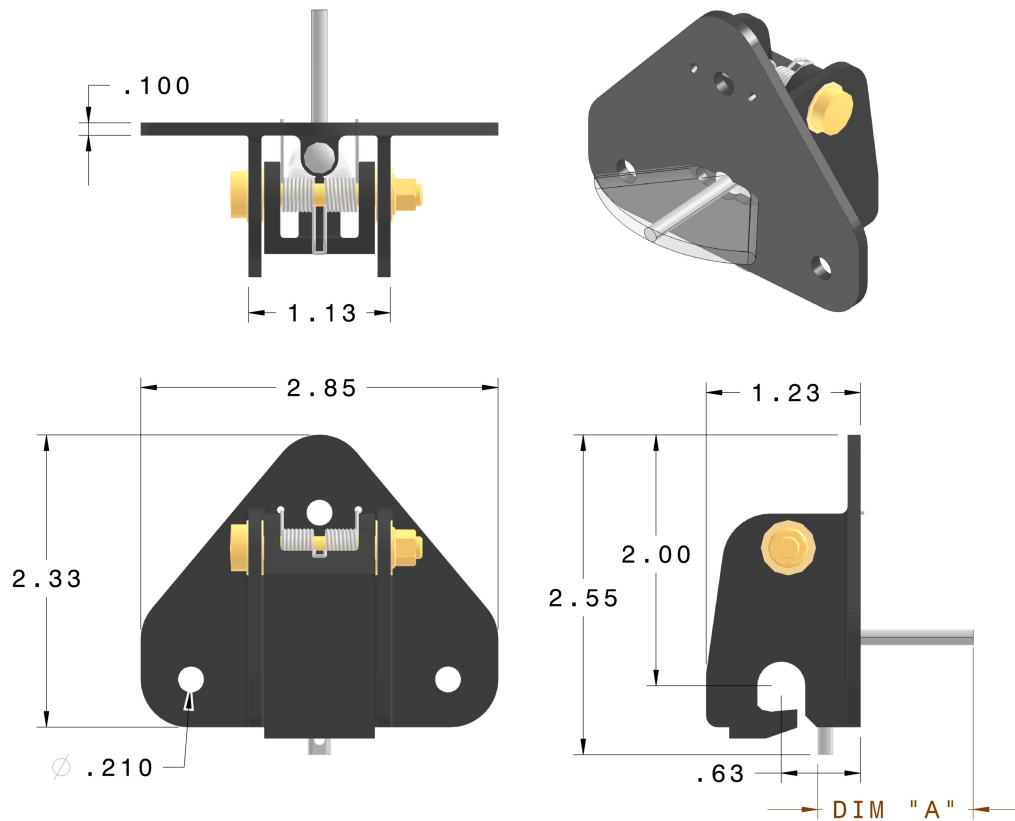
Part Number	"A"
JMIH-130-201-051	1.25"
JMIH-130-201-053	1.50"
JMIH-130-201-055	2.13"
JMIH-130-201-057	3.00"
JMIH-130-201-059	5.00"

Note: JMIH-130-201-XXX Hooks Are Designed to Work With JMIH-130-201-XXX Strikes.

[Back To INDEX](#)



Quick Release Latch - Hook Assembly, Pivot Mechanism, High Release Rod Height, Triangle Base, 3 Bolt Pattern



Part Number	"A"
JMIH-130-201-052	1.25"
JMIH-130-201-054	1.50"
JMIH-130-201-056	2.13"
JMIH-130-201-058	3.00"
JMIH-130-201-060	5.00"

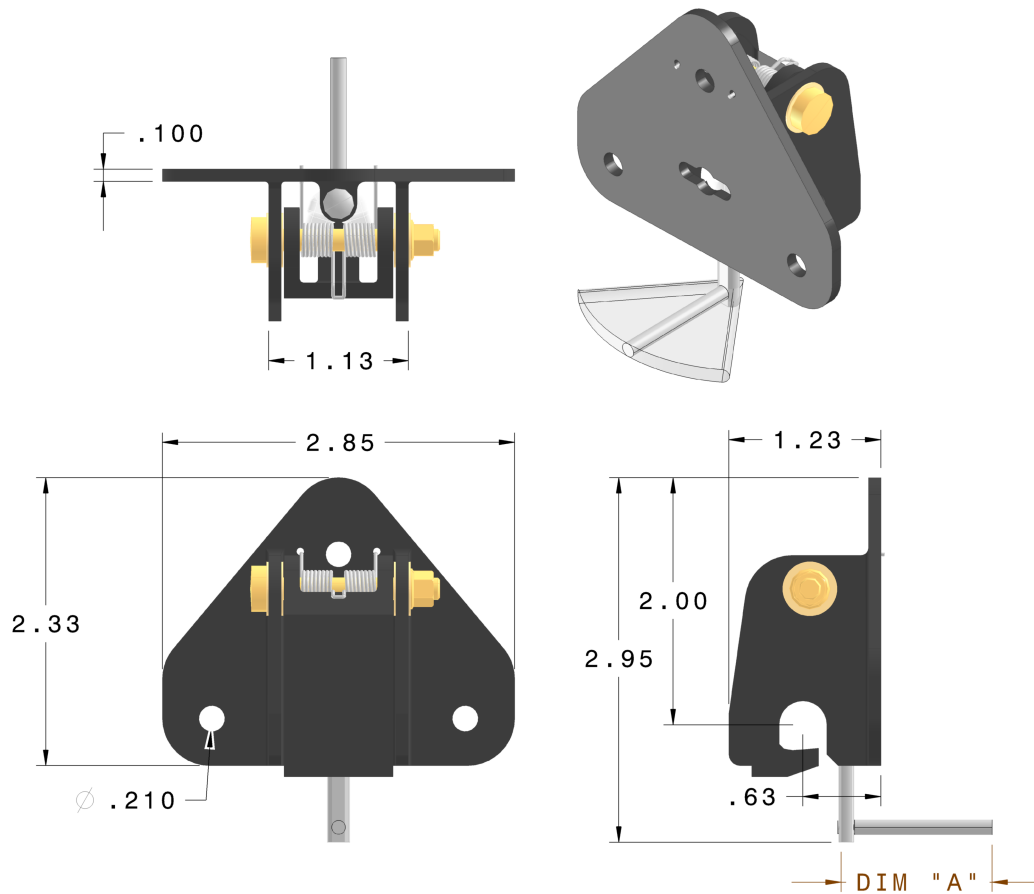
Note: JMIH-130-201-XXX Hooks Are Designed to Work With JMIH-130-201-XXX Strikes.

[Back To INDEX](#)





Quick Release Latch - Hook Assembly, Pivot Mechanism, Low Release Rod Height, Triangle Base, 3 Bolt Pattern



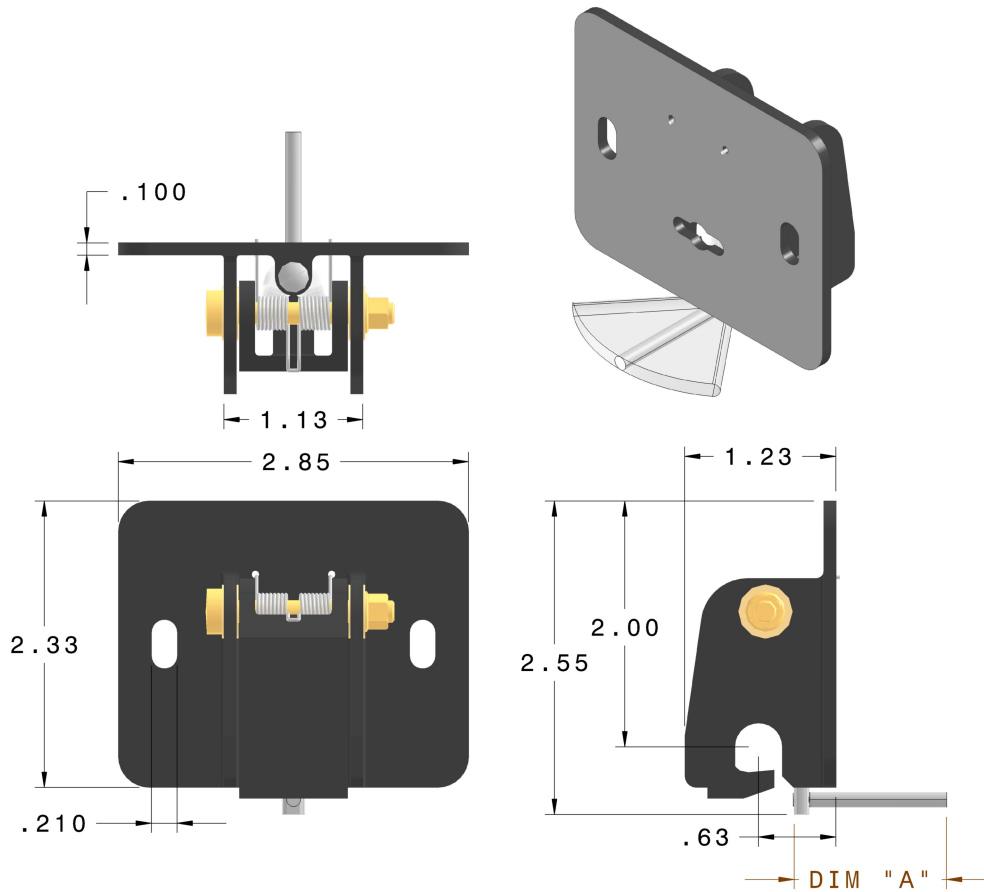
Part Number	"A"
JMIH-130-201-071	1.25"
JMIH-130-201-073	1.50"
JMIH-130-201-075	2.13"
JMIH-130-201-077	3.00"
JMIH-130-201-079	5.00"

Note: JMIH-130-201-XXX Hooks Are Designed to Work With JMIH-130-201-XXX Strikes.

[Back To INDEX](#)



Quick Release Latch - Hook Assembly, Pivot Mechanism, Standard Release Rod Height, Rect. Base, 2 Bolt Pattern



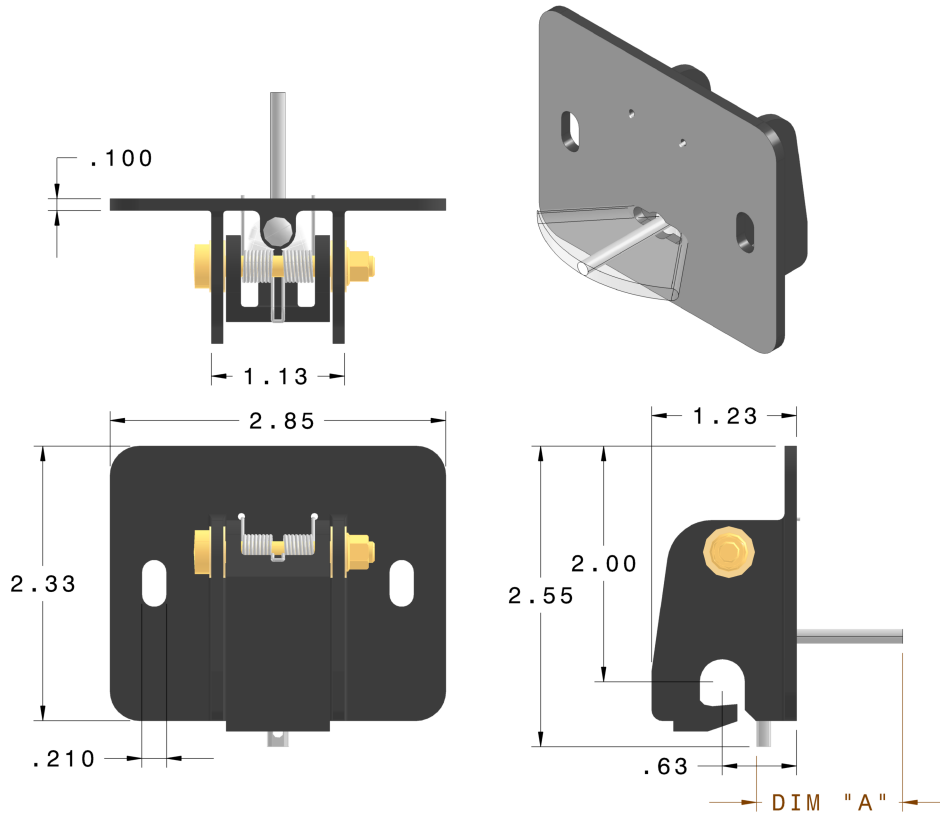
Part Number	"A"
JMIH-130-201-351	1.25"
JMIH-130-201-353	1.50"
JMIH-130-201-355	2.13"
JMIH-130-201-357	3.00"
JMIH-130-201-359	5.00"

Note: JMIH-130-201-XXX Hooks Are Designed to Work With JMIH-130-201-XXX Strikes.

[Back To INDEX](#)



Quick Release Latch - Hook Assembly, Pivot Mechanism, High Release Rod Height, Rect. Base, 2 Bolt Pattern



Part Number	"A"
JMIH-130-201-352	1.25"
JMIH-130-201-354	1.50"
JMIH-130-201-356	2.13"
JMIH-130-201-358	3.00"
JMIH-130-201-360	5.00"

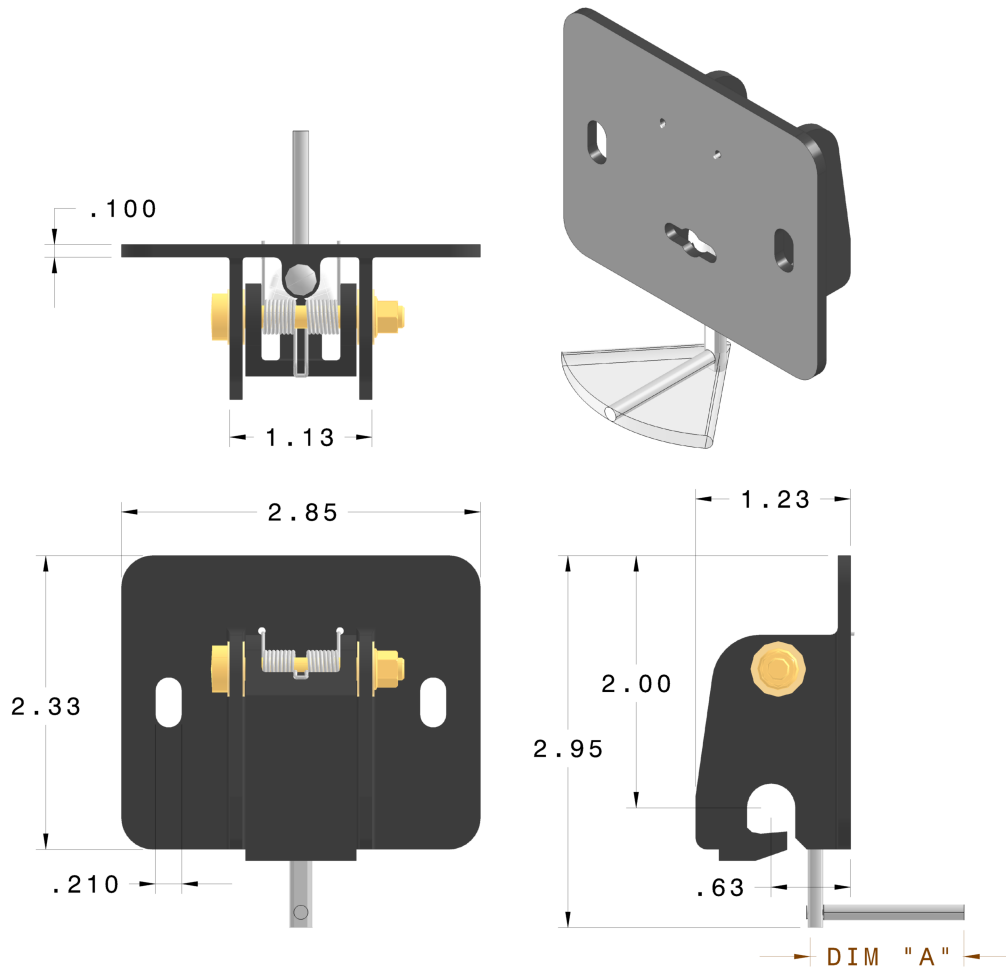
Note: JMIH-130-201-XXX Hooks Are Designed to Work With JMIH-130-201-XXX Strikes.

[Back To INDEX](#)





Quick Release Latch - Hook Assembly, Pivot Mechanism, Low Release Rod Height, Rect. Base, 2 Bolt Pattern



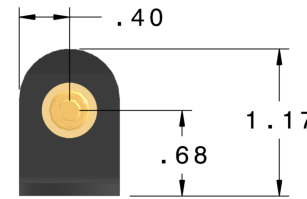
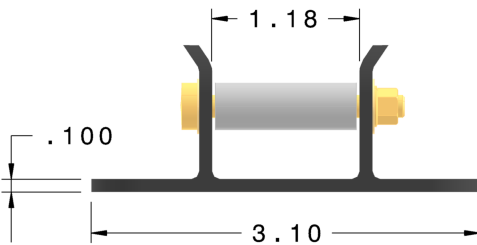
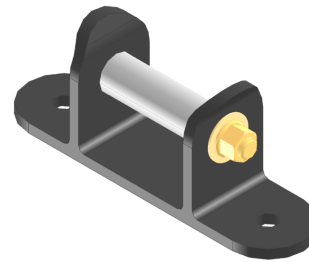
Part Number	"A"
JMIH-130-201-371	1.25"
JMIH-130-201-373	1.50"
JMIH-130-201-375	2.13"
JMIH-130-201-377	3.00"
JMIH-130-201-379	5.00"

Note: JMIH-130-201-XXX Hooks Are Designed to Work With JMIH-130-201-XXX Strikes.

[Back To INDEX](#)



Quick Release Latch - Strike Base Assembly, Standard Height, Rect. Base, 2 Bolt Pattern



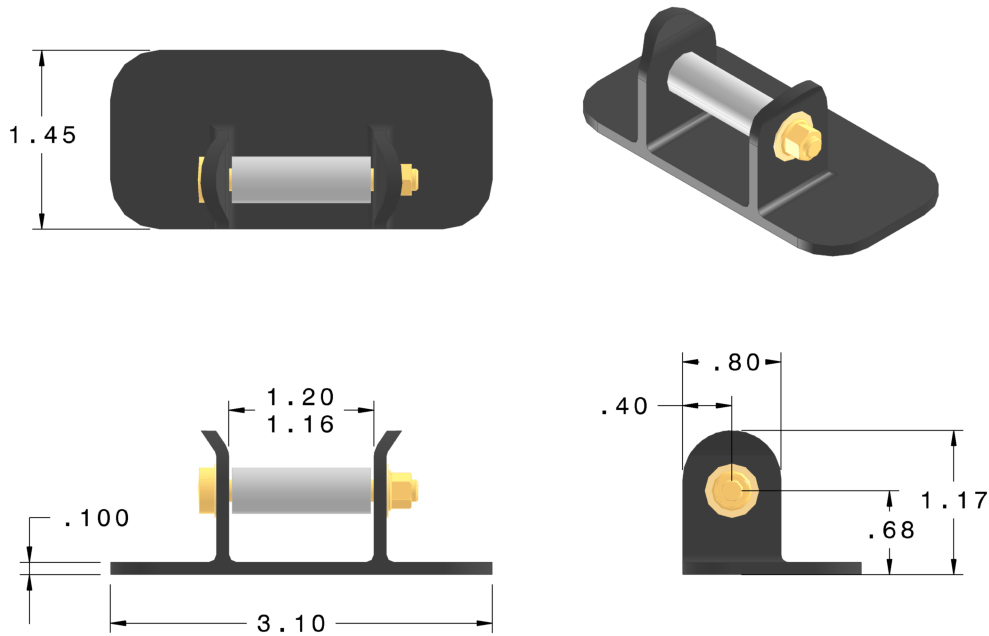
Part Number	"A"
JMIH-130-201-101	Ø.194 - .199
JMIH-130-201-105	Ø.250 - .254

[Back To INDEX](#)





Quick Release Latch - Strike Base Assembly, Standard Height, Wide Rect. Base, No Holes



Part Number

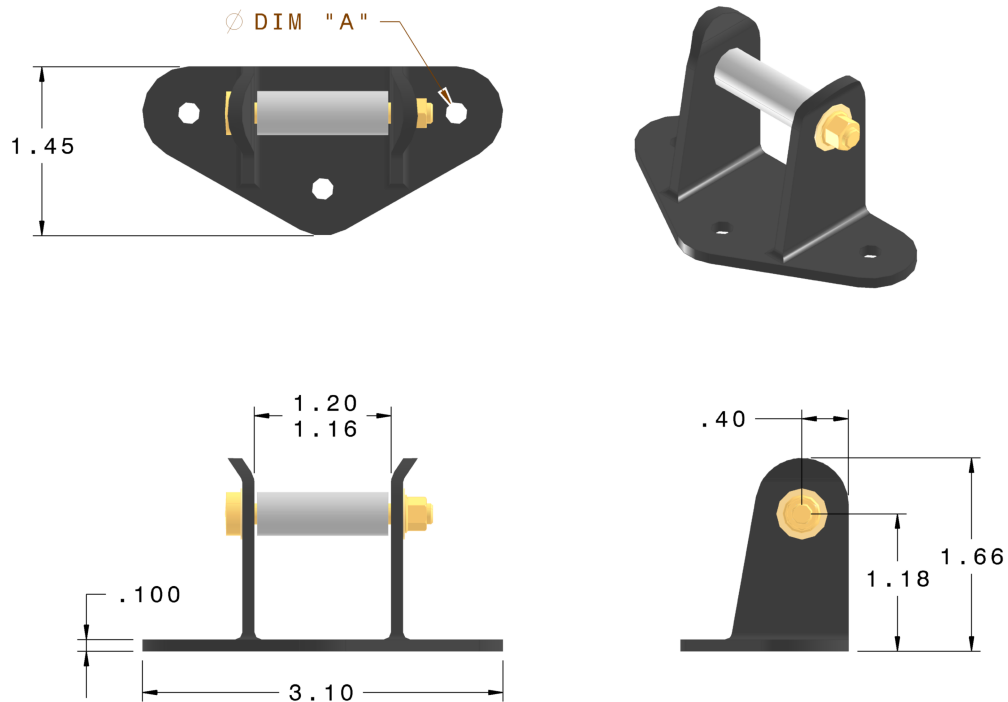
JMIH-130-201-103

[Back To INDEX](#)





Quick Release Latch - Strike Base Assembly, Tall Height, Triangle Base, 3 Bolt Pattern



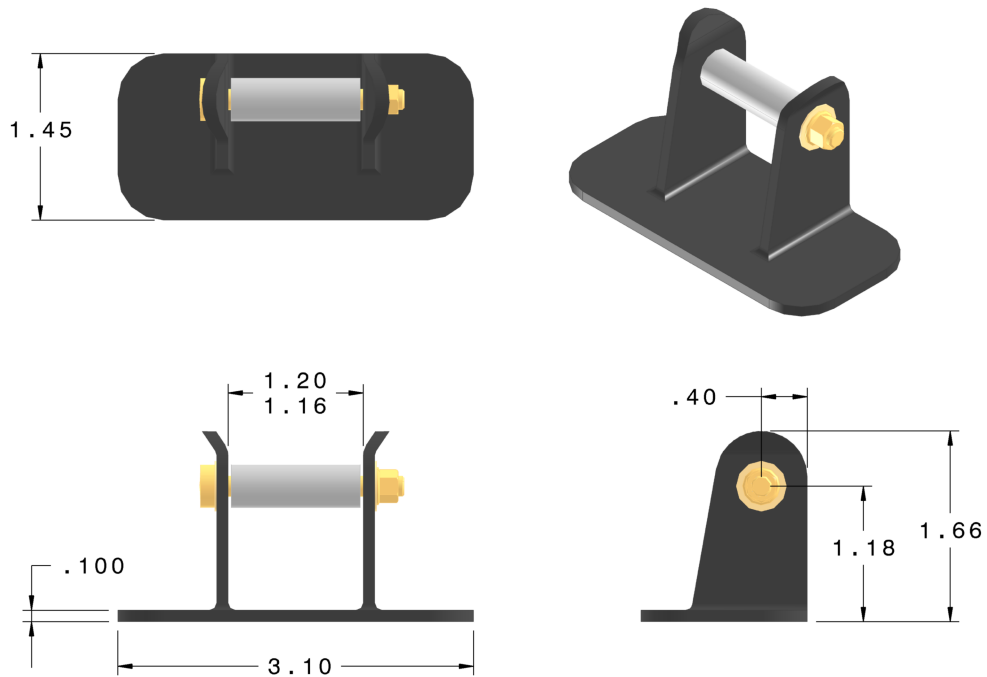
Part Number	"A"
JMIH-130-201-151	Ø.194 - .199
JMIH-130-201-155	Ø.250 - .254

[Back To INDEX](#)





Quick Release Latch - Strike Base Assembly, Tall Height, Wide Rect. Base, No Holes



Part Number

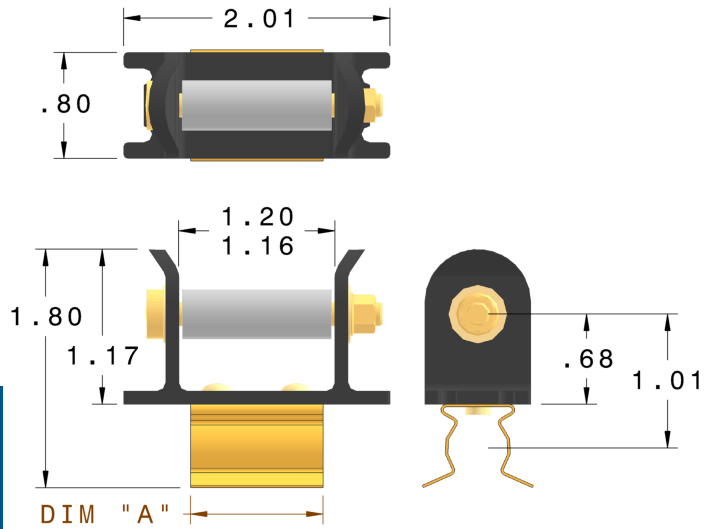
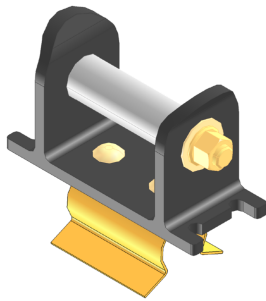
JMIH-130-201-153

[Back To INDEX](#)



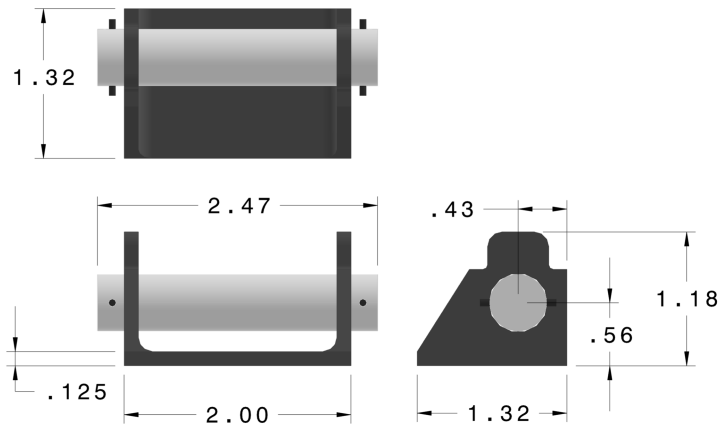
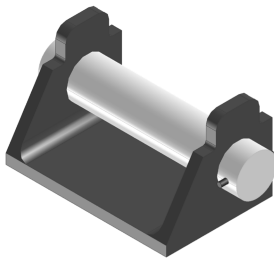


Quick Release Latch - Strike Base Assembly, With Spring Clip



Part Number	"A"
JMIH-130-201-201	.40"
JMIH-130-201-203	.80"
JMIH-130-201-205	1.00"
JMIH-130-201-207	1.20"

Quick Release Latch - Roller Base Assembly, For Spring Clip, No Holes



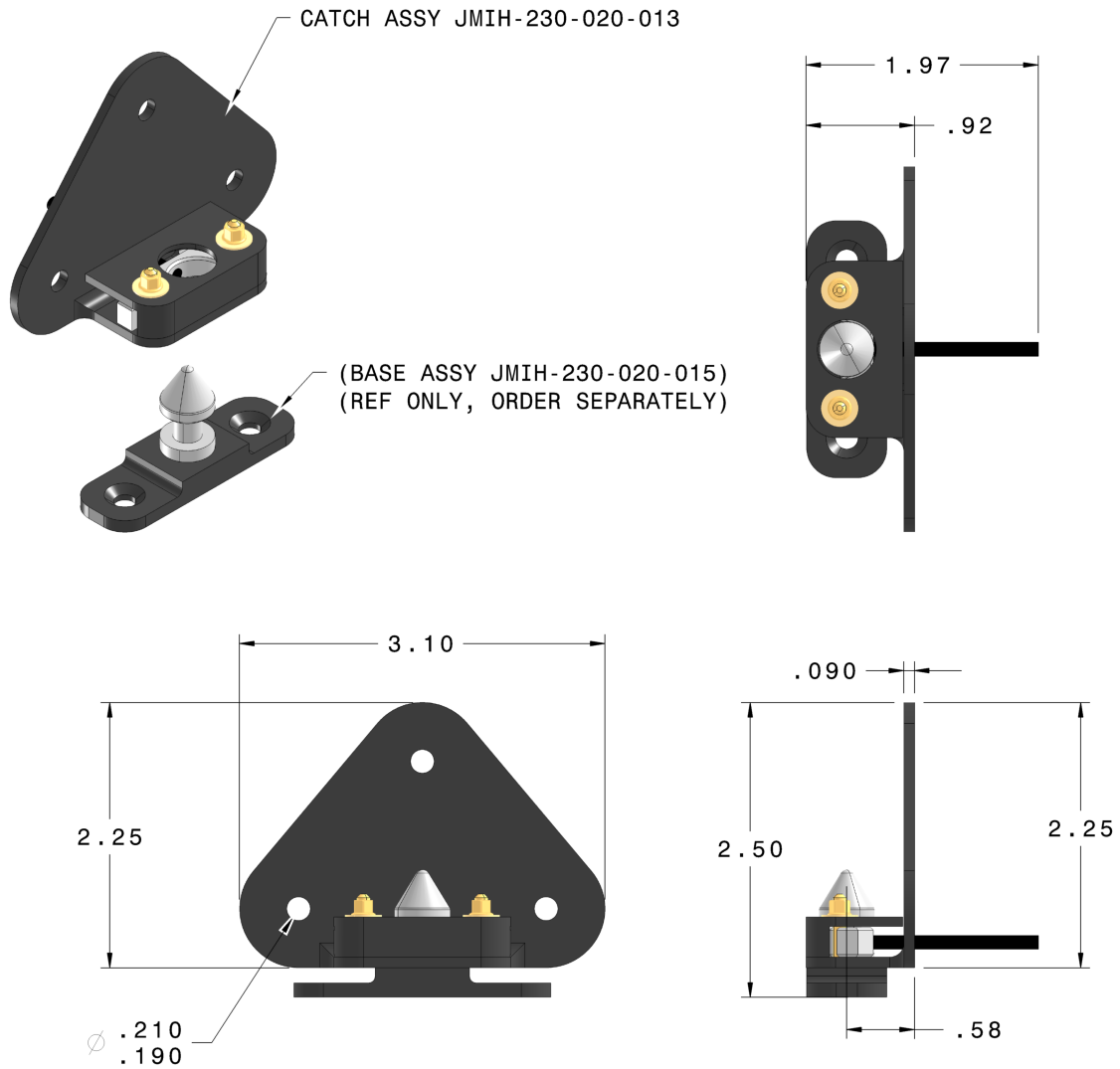
Part Number
JMIH-130-201-251

[Back To INDEX](#)





Credit Card Latch - Catch Assembly, Structure to Panel, Triangle Base, 3 Bolt Pattern



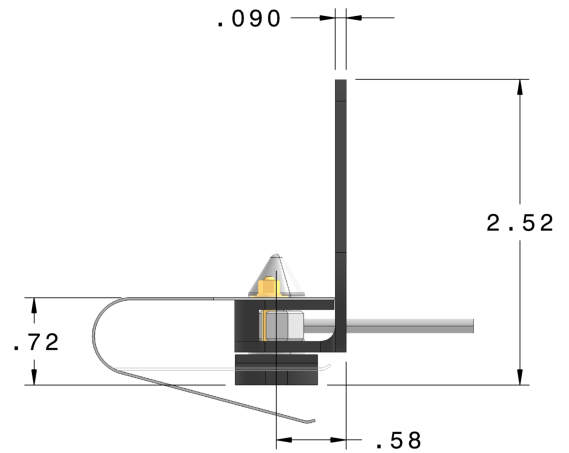
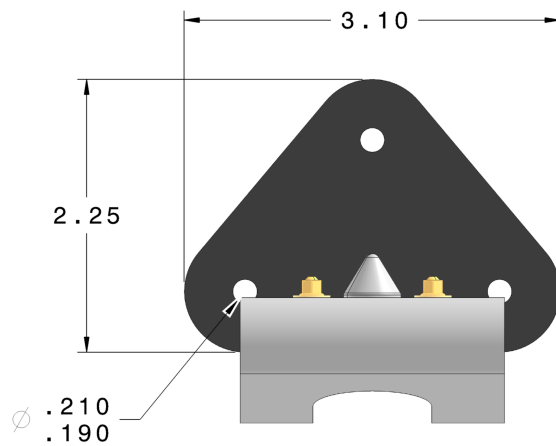
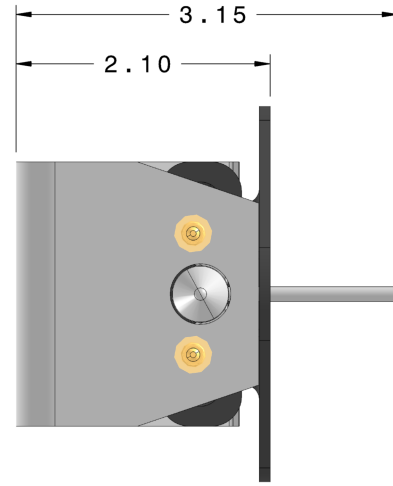
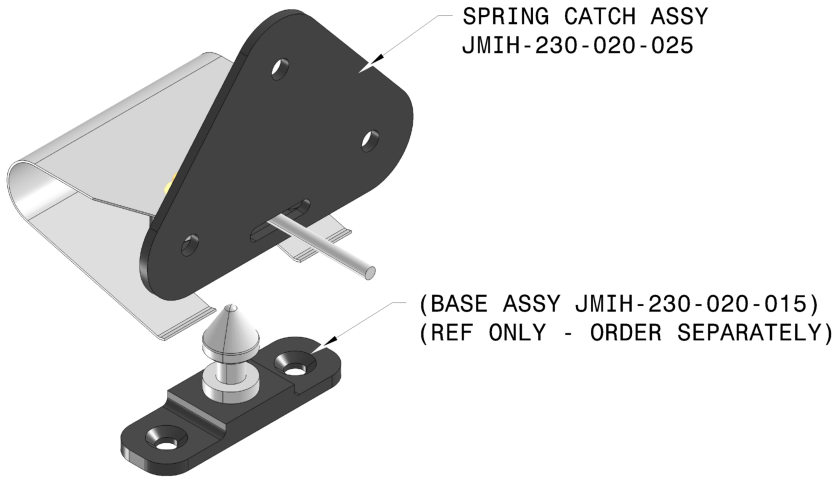
Part Number
JMIH-230-020-013

[Back To INDEX](#)





Credit Card Latch - Catch Assembly, Structure to Panel, Triangle Base, 3 Bolt Pattern, Pre-Load Spring



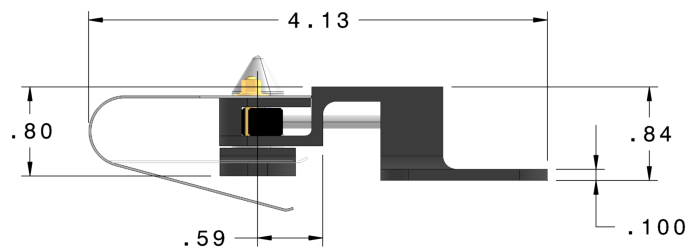
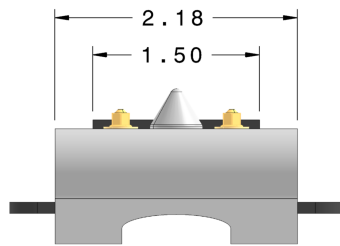
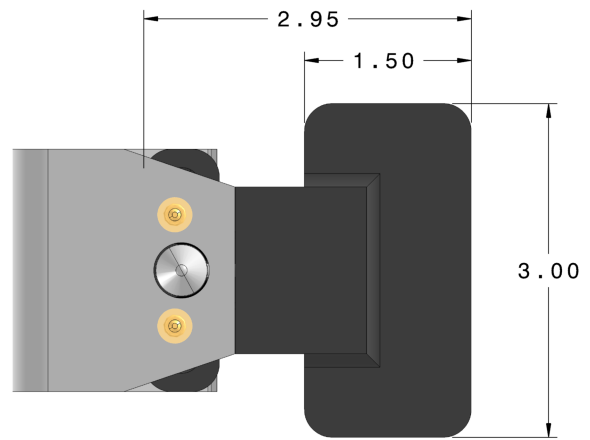
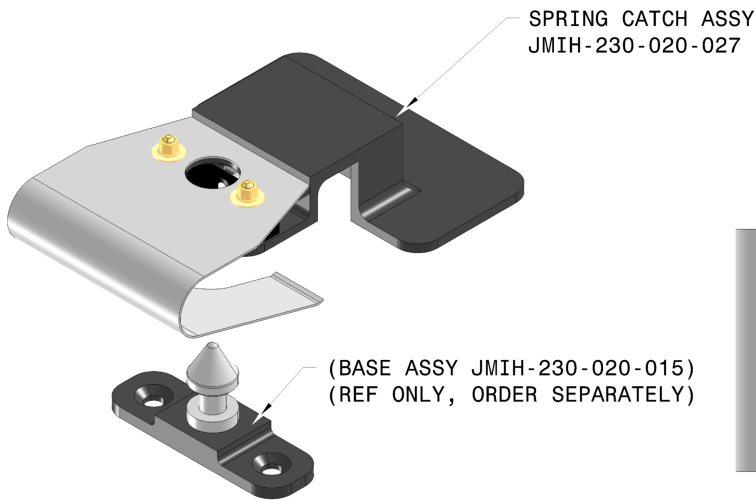
Part Number
JMIH-230-020-025

[Back To INDEX](#)





Credit Card Latch - Catch Assembly, Panel to Panel, Rect. Base, No Holes, 0.03" Offset, Pre-Load Spring



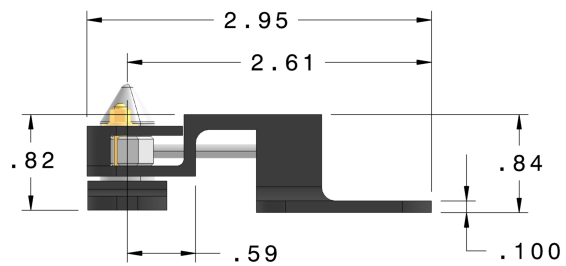
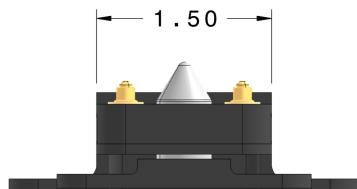
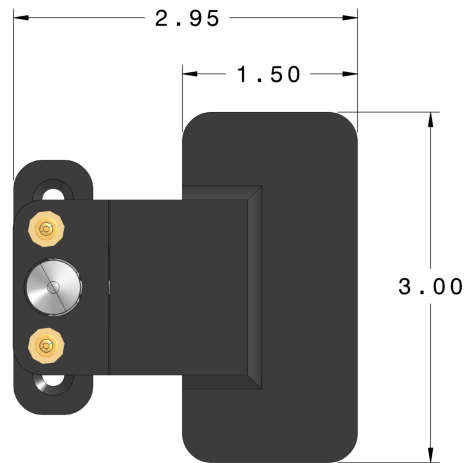
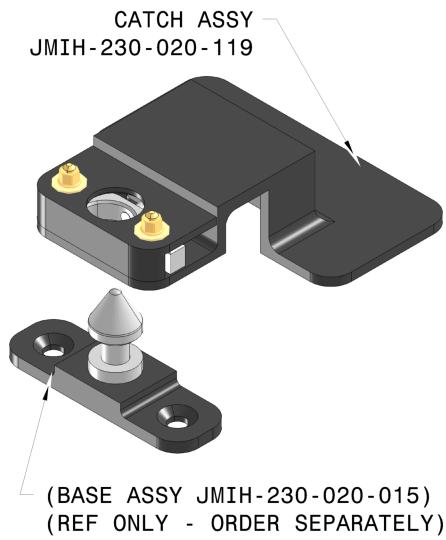
Part Number
JMIH-230-020-027

[Back To INDEX](#)





Credit Card Latch - Catch Assembly, Panel to Panel, Rect. Base, No Holes, 0.03" Offset,



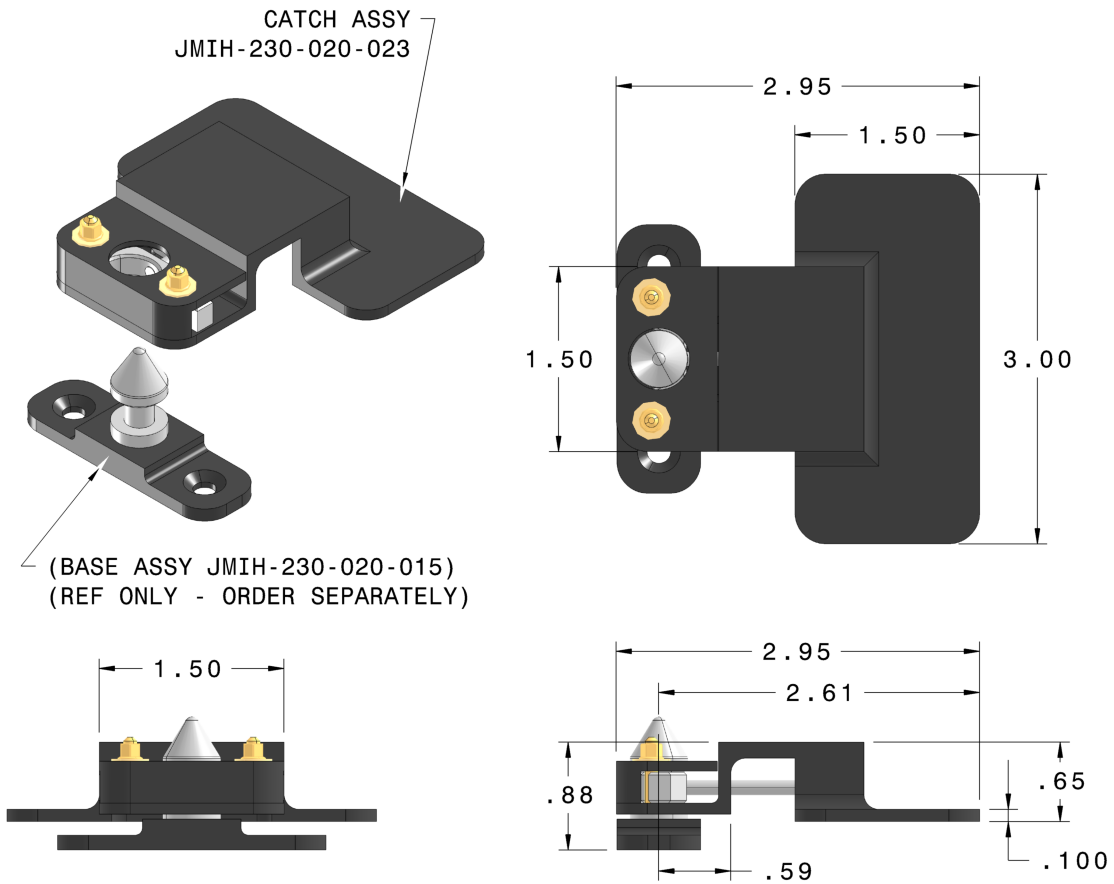
Part Number

JMIH-230-020-019

[Back To INDEX](#)



Credit Card Latch - Catch Assembly, Panel to Panel, Rect. Base, No Holes, 0.17" Offset,



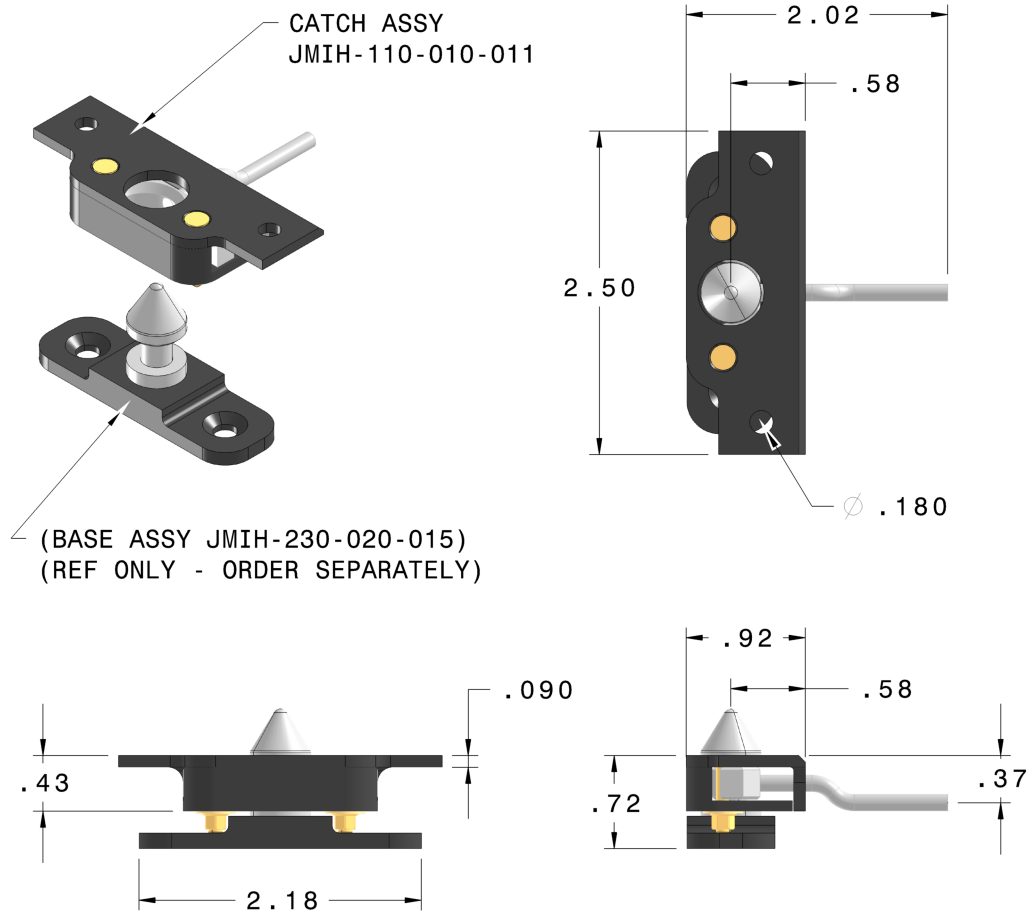
Part Number
JMIH-230-020-023

[Back To INDEX](#)





Credit Card Latch - Catch Assembly, Structure to Panel, Joggle Rod, Rect. Base, 2 Bolt Pattern



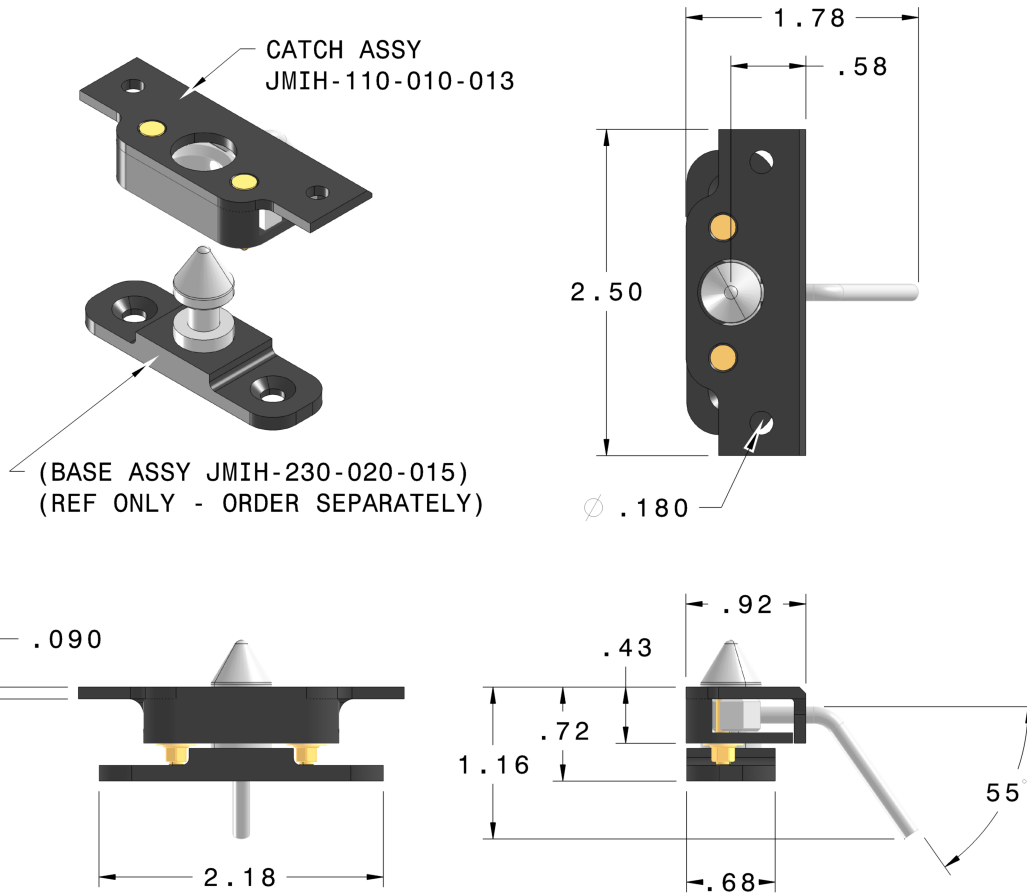
Part Number
JMIH-110-010-011

[Back To INDEX](#)





Credit Card Latch - Catch Assembly, Structure to Panel, Angled Rod, Rect. Base, 2 Bolt Pattern



Part Number

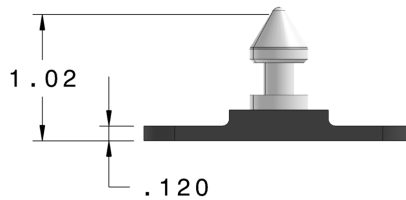
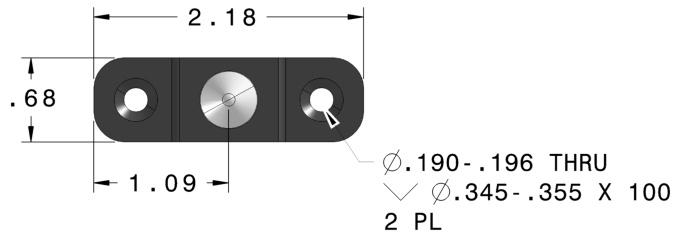
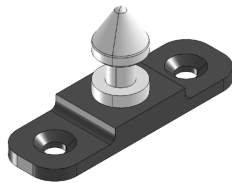
JMIH-110-010-013

[Back To INDEX](#)





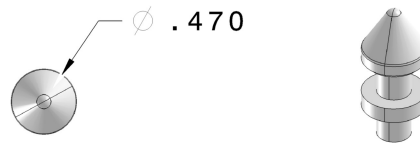
Credit Card Latch - Base Assembly, Rect. Base, 2 Bolt Pattern



Part Number

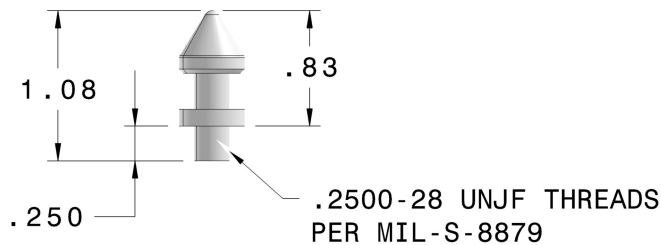
JMIH-230-020-015

Catch



Part Number

JMIH-230-020-107



[Back To INDEX](#)

